

JOHNSON CITY (ØA4) 3 NE UTC-5(-4DT) N36°21.82' W82°18.54'

CINCINNATI
L-25C

1550 NOTAM FILE BNA

RWY 04-22: H3000X50 (ASPH) S-15

RWY 04: Thld dsplcd 800'.

AIRPORT REMARKS: Attended 1400-2200Z±. Season vrb|—amgr. Dep Rwy 04; arr Rwy 22 rcmdld. Rwy 04-22 grass, cracking and oxidized pavement.

AIRPORT MANAGER: 423-928-4500

COMMUNICATIONS: CTAF 122.9

CLEARANCE DELIVERY PHONE: For CD ctc Atlanta ARTCC at 770-210-7692.

RADIO AIDS TO NAVIGATION: NOTAM FILE BNA.

HOLSTON MOUNTAIN (L) (L) VORTACW 114.6 HMV Chan 93

N36°26.22' W82°07.78' 247° 9.7 NM to fld. 4321/4W.

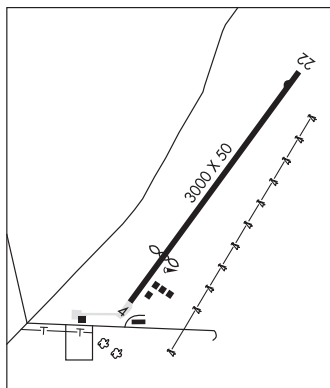
VOR unusable:

076°-126° byd 17 NM blo 8,500'

171°-178° byd 27 NM blo 10,000'

171°-178° within 27 NM blo 8,500'

260°-265° byd 36 NM blo 8,500'



JOHNSON CO (See MOUNTAIN CITY on page 438)

KNOXVILLE

KNOXVILLE DOWNTOWN ISLAND (DKX)(KDKX) 3 E UTC-5(-4DT) N35°57.83' W83°52.42'

ATLANTA
L-25B
IAP

833 B NOTAM FILE BNA

RWY 08-26: H3499X75 (ASPH) S-22 MIRL

RWY 08: REIL. PAPI(P2L)—GA 3.8° TCH 43'. Tree.

RWY 26: REIL. PAPI(P2L)—GA 3.35° TCH 44'.

SERVICE: S4 FUEL 100LL, JET A+ OX 1, 2, 3, 4 LGT REIL Rwy 08 and 26; MIRL Rwy 08-26 and twy lgtS opr dusk-dawn and are preset low intst; incr intst and ACTVT REIL Rwy 08 and 26; PAPI Rwy 08 and 26; MIRL Rwy 08-26—123.075.

NOISE: Noise sensitive area 1 NM SW; Rwy 26 dep avoid flt ovr nbrhd.

AIRPORT REMARKS: Attended 1200-0300Z±. Geese on and invof arpt.

100LL self-svc avbl H24 with credit card. TFR over stadium 2.5 miles W; info and times—865-577-4461. Rwy 08 calm wind rwy.

AIRPORT MANAGER: (865) 342-3182

WEATHER DATA SOURCES: AWOS-3 125.375 (865) 579-6151.

COMMUNICATIONS: CTAF/UNICOM 123.075

® APP/DEP CON 123.9

CLNC DEL 121.7

CLEARANCE DELIVERY PHONE: For CD ctc Knoxville Apch at 865-980-3034; if una for CD ctc Knoxville Apch at 865-980-3033.

AIRSPACE: CLASS E.

RADIO AIDS TO NAVIGATION: NOTAM FILE TYS.

VOLUNTEER (H) (H) VORTACW 116.4 VXV Chan 111 N35°54.29' W83°53.68' 019° 3.7 NM to fld. 1315/3W.

LOC 111.3 I-DKX Rwy 26. Front unusable byd 32° right of course.

