

UKIAH MUNI (UKI)(KUKI) 1 S UTC-8(-7DT) N39°07.56' W123°12.05'

SAN FRANCISCO

617 B NOTAM FILE UKI

L-2G

RWY 15-33: H4423X150 (ASPH) S-28 MIRL 0.3% up N

IAP

RWY 15: REIL. PAPI(P4L)—GA 3.0° TCH 29'. Trees.

RWY 33: REIL. Trees. Rgt tfc.

SERVICE: S4 FUEL 100LL, JET A OX1 LGT ACTVT PAPI Rwy 15; REIL Rwy 15 and 33; MIRL Rwy 15-33—CTAF.

NOISE: For noise abatement calm wind rwy is Rwy 15. Arpt manager requests no VFR straight in apchs to Rwy 15-33 right turn after departure Rwy 33 to avoid overflight of town.

AIRPORT REMARKS: Attended May Mon-Fri 1600-0330Z†, Sat-Sun 1730-0330Z†; Jun Mon-Fri 1600-0400Z†, Sat-Sun 1730-0400Z†; Jul-Aug Mon-Fri 1600-0430Z†, Sat-Sun 1800-0430Z†; Sep Mon-Fri 1600-0400Z†, Sat-Sun 1730-0400Z†; Oct 1600-0330Z†; Nov 1600-0200Z†; Dec-Apr 1600-0130Z†. No jet acct dep 0600-1500Z†. Self-svc fuel avbl. Second rotating bcn on mountain 250° and 2 miles from arpt. Ldg fee for all acct over 12,500 lbs.

AIRPORT MANAGER: 707-467-2855

WEATHER DATA SOURCES: ASOS 119.275 (707) 462-7343.

COMMUNICATIONS: CTAF/UNICOM 123.0

RCO 122.2 (OAKLAND RADIO)

® OAKLAND CENTER APP/DEP CON 127.8

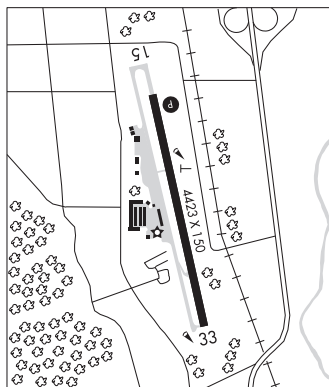
CLEARANCE DELIVERY PHONE: For CD if una to ctc on FSS freq, ctc Oakland ARTCC at 510-745-3380.

AIRSPACE: CLASS E.

RADIO AIDS TO NAVIGATION: NOTAM FILE UKI.

MENDOCINO (VH) (H) VORTACW 112.3 ENI Chan 70 N39°03.19' W123°16.46' 022° 5.5 NM to fld. 2985/16E.

LOC/DME 109.1 I-UKI Chan 28 Rwy 15. LOC unusable byd 25° r of course. DME unusable byd 25° right of course.



UNIVERSITY (See DAVIS on page 140)

UPLAND

CABLE (CCB)(KCCB) 2 NW UTC-8(-7DT) N34°06.70' W117°41.24'

LOS ANGELES

1444 B TPA—2244(800) NOTAM FILE RAL

COPTER

RWY 06-24: H3863X75 (ASPH) S-20 MIRL 1.3% up NE

L-3E, 4H, 7C, A

RWY 06: VASI(V2L)—GA 4.0° TCH 34'. Thld dspcd 106'.

IAP

RWY 24: VASI(V2R)—GA 4.0° TCH 24'. Thld dspcd 157'. Road.

SERVICE: S4 FUEL 100LL, JET A OX1, 2, 3, 4 LGT MIRL Rwy 06-24 preset on low instst SS-SR ACTVT high instst—CTAF. Rwy 24 VASI unusbl byd 5 deg left and 2 deg right of rwy cntrln.

AIRPORT REMARKS: Attended dalgt hrs. Fuel self svc 24 hrs. Rwy 06-24 gross pavement strength provided by arpt operator 12,500 pounds.

AIRPORT MANAGER: 951-315-9224

WEATHER DATA SOURCES: AWOS-3P 119.525 (909) 985-4731.

COMMUNICATIONS: CTAF/UNICOM 123.0

® SOCAL APP/DEP CON 125.5 (SW-NORTH)

CLEARANCE DELIVERY PHONE: For CD ctc SoCal Apch at 800-448-3724.

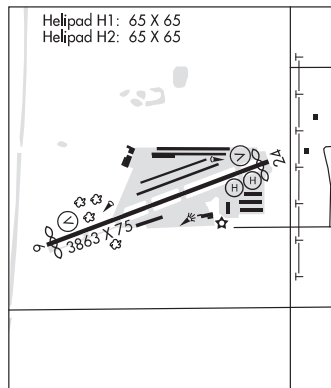
RADIO AIDS TO NAVIGATION: NOTAM FILE RAL.

POMONA (L) (L) VORTACW 110.4 POM Chan 41 N34°04.70' W117°47.22' 053° 5.4 NM to fld. 1265/15E.

DME unusable:
300°-045° byd 20 NM

VOR unusable:
280°-300° byd 20 NM blo 13,000'
300°-045° byd 20 NM

TACAN AZIMUTH unusable:
280°-300° byd 20 NM blo 14,000'
300°-045° byd 20 NM



HELIPAD H1: H65X65 (ASPH) PERIMETER LGTS

HELIPAD H2: H65X65 (ASPH-CONC)

HELIPORT REMARKS: ACTVT Helipad H1 perimeter lgts—CTAF.