

PENNS TWO ARRIVAL

NE-2, 07 OCT 2021 to 04 NOV 2021

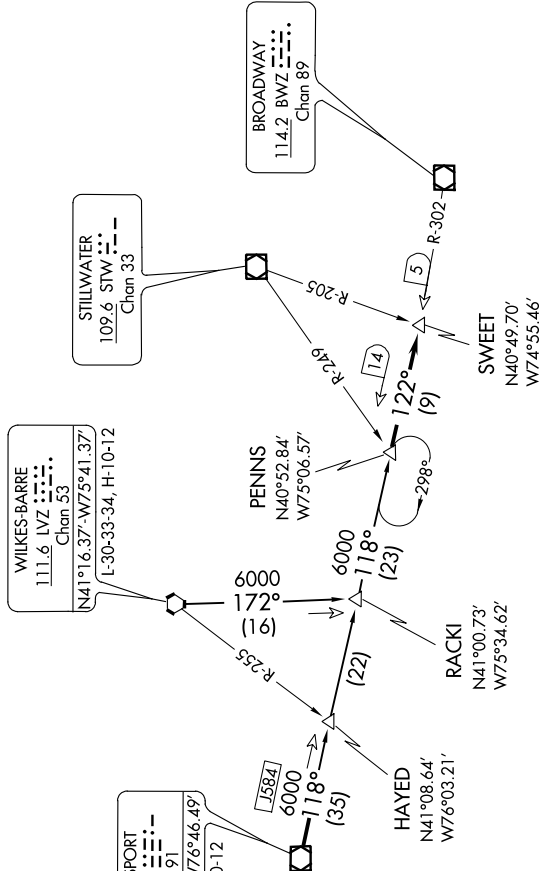
NEW YORK APP CON
127.6 379.9
D-ATIS
115.7 134.825

WILLIAMSPORT
114.4 FQM
Chan 91
N41°20.31'-W76°46.49'
L-30, H-10-12

WILKES-BARRE
111.6 LVZ
Chan 53
N41°16.37'-W75°41.37'
L-30-33-34, H-10-12

STILLWATER
109.6 STW
Chan 33

BROADWAY
114.2 BWZ
Chan 89



ARRIVAL ROUTE DESCRIPTION

WILKES-BARRE TRANSITION (LVZ.PENNS2): From over LVZ VORTAC via R-172 to RACKI INT, then via FQM R-118 to PENNS INT. Thence

WILLIAMSPORT TRANSITION (FQM.PENNS2): From over FQM VOR/DME via FQM R-118 to PENNS INT. Thence

. From over PENNS INT via BWZ VOR/DME R-302 to SWEET INT. Expect radar vectors to final approach course.

NOTE: This STAR is applicable to non-jet aircraft filed less than 250K landing Newark Liberty Intl airport.

NOTE: Chart not to scale.

NE-2, 07 OCT 2021 to 04 NOV 2021