

APP CRS	Rwy Idg	NA
279°	TDZE	NA
	Apt Elev	14

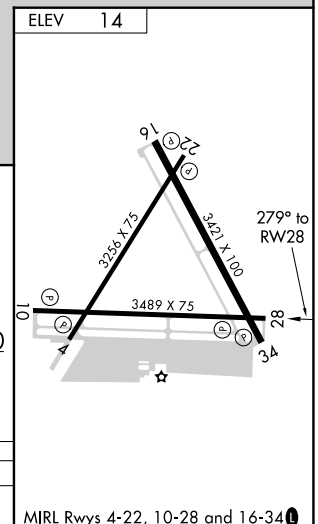
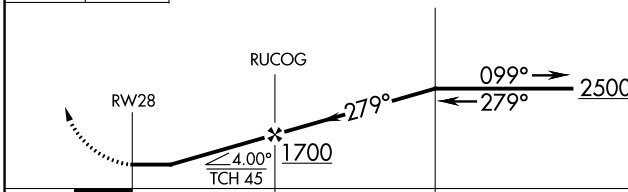
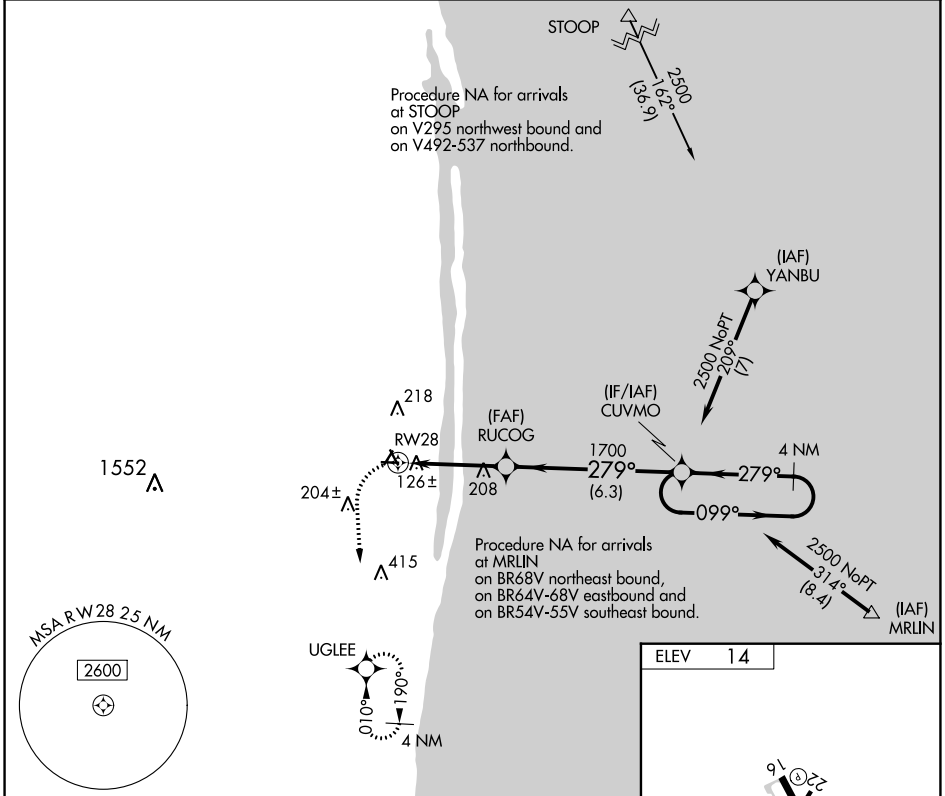
RNAV (GPS)-B

PALM BEACH COUNTY PARK (L.N.A)

▼ DME/DME RNP-0.3 NA. Rwy 28 helicopter visibility reduction below 1 SM NA. Circling to Rwys 4, 16, 22, 28, 34 NA at night.

MISSED APPROACH: (Do not exceed 210K until turn completion) Climbing left turn to 2000 direct UGLEE and hold.

AWOS-3PT 119.925	PALM BEACH APP CON 127.35 343.6	CLNC DEL 127.35	UNICOM 122.7 (CTAF) 0
----------------------------	---	---------------------------	---------------------------------



CATEGORY	A	B	C	D
C CIRCLING	460-1 446 (500-1)	520-1 506 (600-1)	580-1½ 566 (600-1½)	NA

SE-3, 19 MAY 2022 to 16 JUN 2022

SE-3, 19 MAY 2022 to 16 JUN 2022