

ALEXANDRIA THREE DEPARTURE
(AEX3.AEX) 07OCT21

(AEX3.AEX) 21280
ALEXANDRIA THREE DEPARTURE

AL-4453 (FAA)

TEXAS GULF COAST RGNL (LJBX)
ANGLETON/LAKE JACKSON, TEXAS

ASOS
119.925
CLNC DEL
125.2
CTAF
123.0
HOUSTON DEP CON
134.45 284.0

LUFKIN
112.1 LFK
Chan 58

ALEXANDRIA
116.1 AEX
Chan 108
N31°15.40'
W92°30.06'

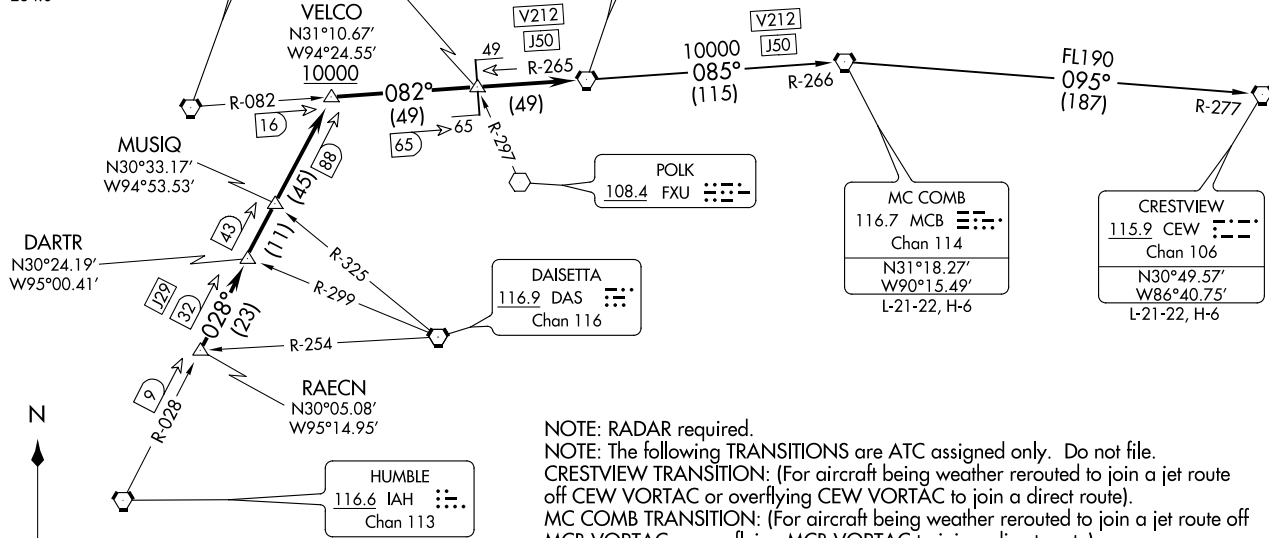
COSGO
N31°13.26'
W93°27.16'

VELCO
N31°10.67'
W94°24.55'
10000

V212
J50

V212
J50

TOP ALTITUDE:
ASSIGNED BY ATC



TAKEOFF MINIMUMS
Rwys 17, 35: Standard.

NOTE: RADAR required.
NOTE: The following TRANSITIONS are ATC assigned only. Do not file.
CRESTVIEW TRANSITION: (For aircraft being weather rerouted to join a jet route off CEW VORTAC or overflying CEW VORTAC to join a direct route).
MC COMB TRANSITION: (For aircraft being weather rerouted to join a jet route off MCB VORTAC or overflying MCB VORTAC to join a direct route).

NOTE: Chart not to scale.

(NARRATIVE ON FOLLOWING PAGE)

ANGLETON/LAKE JACKSON, TEXAS
TEXAS GULF COAST RGNL (LJBX)

ALEXANDRIA THREE DEPARTURE



DEPARTURE ROUTE DESCRIPTION

TAKEOFF ALL RUNWAYS: When entering controlled airspace, climb on assigned heading for RADAR vectors to RAECN INT. Maintain ATC assigned altitude. Expect filed altitude 10 minutes after departure, thence. . . .

. . . .on IAH R-028 to VELCO INT, cross VELCO INT at or above 10000, then right turn on LFK R-082 and AEX R-265 to AEX VORTAC.

CRESTVIEW TRANSITION (AEX3.CEW): From over AEX VORTAC on AEX R-085 and MCB R-266 to MCB VORTAC, then on MCB R-095 and CEW R-277 to CEW VORTAC.

MC COMB TRANSITION (AEX3.MCB): From over AEX VORTAC on AEX R-085 and MCB R-266 to MCB VORTAC.

SC-5, 11 AUG 2022 to 08 SEP 2022

SC-5, 11 AUG 2022 to 08 SEP 2022