

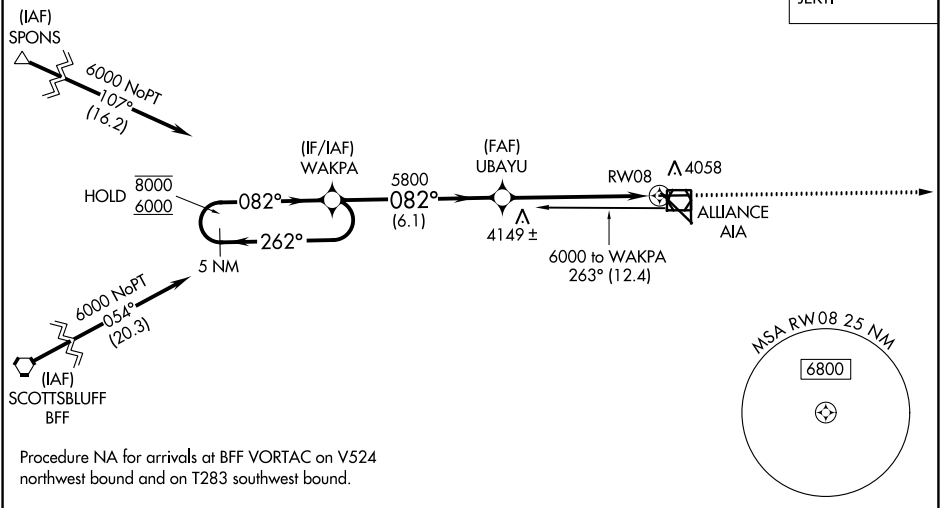
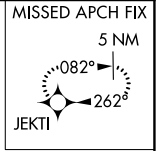
RNAV (GPS) RWY 8

ALLIANCE MUNI (AIA)

APP CRS	Rwy Idg	6190
082°	TDZE	3931
	Apt Elev	3931

RNP APCH.	MISSED APPROACH: Climb to 5700 direct JEKTI and hold.
-----------	---

ASOS 135.075	DENVER CENTER 127.95 338.2	UNICOM 123.0 (CTAF) 1
------------------------	--------------------------------------	---------------------------------

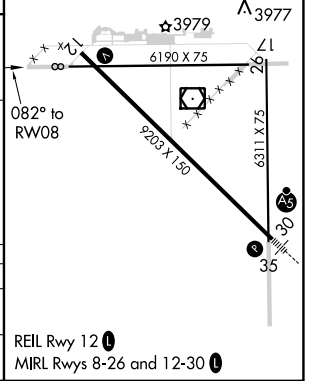
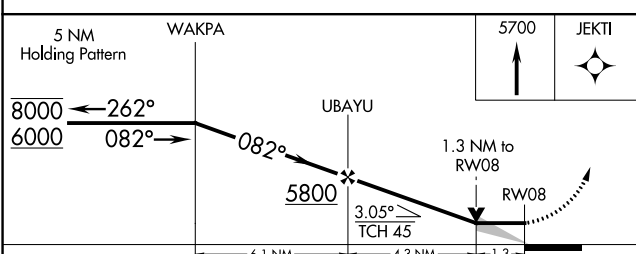


NC-2, 30 NOV 2023 to 28 DEC 2023

NC-2, 30 NOV 2023 to 28 DEC 2023

ELEV 3931	D TDZE 3931
-----------	--------------------

A 5749



CATEGORY	A	B	C	D
LNVA MDA	4400-1	469 (500-1)	4400-1 $\frac{3}{8}$ 469 (500-1 $\frac{3}{8}$)	4400-1 $\frac{1}{2}$ 469 (500-1 $\frac{1}{2}$)
CIRCLING	4460-1 529 (600-1)	4520-1 589 (600-1)	4580-1 $\frac{3}{4}$ 649 (700-1 $\frac{3}{4}$)	4640-2 $\frac{1}{4}$ 709 (800-2 $\frac{1}{4}$)

REIL Rwy 12 1
MIRL Rwy 8-26 and 12-30 1