

ALEXANDRIA THREE DEPARTURE  
(AEX3.AEX) 07/OCT/21

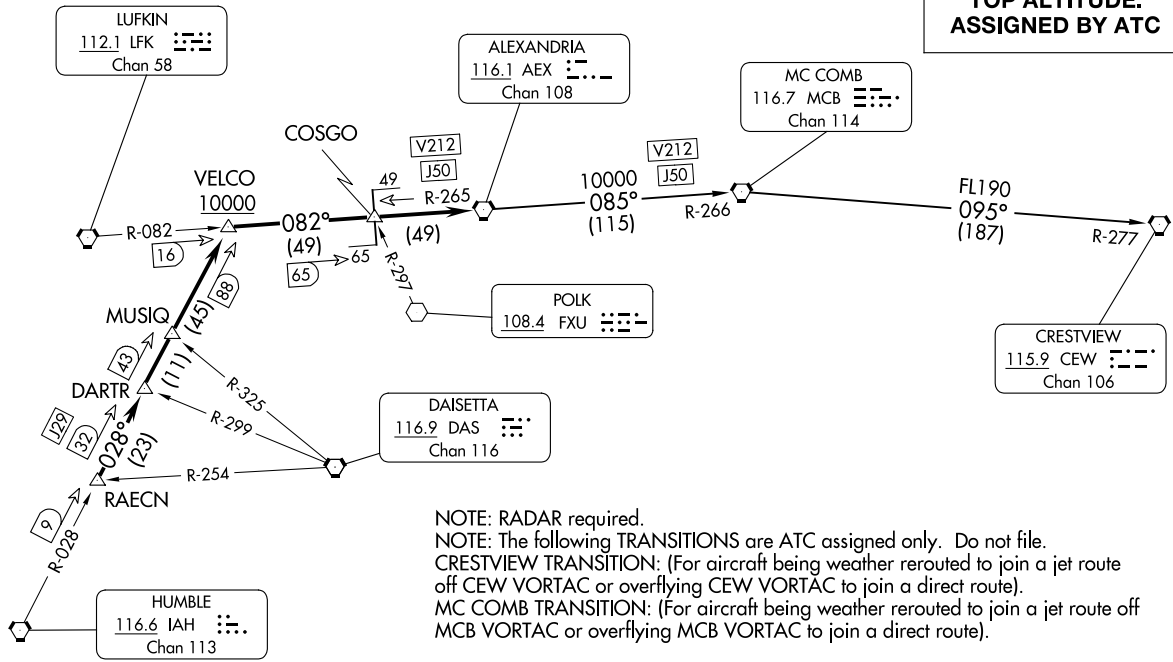
(AEX3.AEX) 24137  
ALEXANDRIA THREE DEPARTURE

AL-197 (FAA)

ELLINGTON (E,F,D)  
HOUSTON, TEXAS

ATIS  
135.575 269.9  
GND CON  
121.6 275.8  
ELLINGTON TOWER  
126.05 253.5  
HOUSTON DEP CON  
134.45 284.0

**TOP ALTITUDE:  
ASSIGNED BY ATC**



NOTE: RADAR required.  
 NOTE: The following TRANSITIONS are ATC assigned only. Do not file.  
 CRESTVIEW TRANSITION: (For aircraft being weather rerouted to join a jet route off CEW VORTAC or overflying CEW VORTAC to join a direct route).  
 MC COMB TRANSITION: (For aircraft being weather rerouted to join a jet route off MCB VORTAC or overflying MCB VORTAC to join a direct route).

**TAKEOFF MINIMUMS**

Rwys 4, 17L/R, 35L/R: Standard.  
 Rwy 22: 200-1/4 or standard with minimum climb of 214' per NM to 300, or alternatively, with standard takeoff minimums and a normal 200' per NM climb gradient, takeoff must occur no later than 1400' prior to DER.

NOTE: Chart not to scale.

(CONTINUED ON FOLLOWING PAGE)

HOUSTON, TEXAS  
ELLINGTON (E,F,D)

# ALEXANDRIA THREE DEPARTURE



## DEPARTURE ROUTE DESCRIPTION

TAKEOFF ALL RUNWAYS: Climb on assigned heading for RADAR vectors to RAECN INT. Maintain ATC assigned altitude. Expect filed altitude 10 minutes after departure, thence. . . .

. . . .on IAH R-028 to VELCO INT, cross VELCO INT at or above 10000, then right turn on LFK R-082 and AEX R-265 to AEX VORTAC.

CRESTVIEW TRANSITION (AEX3.CEW): From over AEX VORTAC on AEX R-085 and MCB R-266 to MCB VORTAC, then on MCB R-095 and CEW R-277 to CEW VORTAC.

MC COMB TRANSITION (AEX3.MCB): From over AEX VORTAC on AEX R-085 and MCB R-266 to MCB VORTAC.

SC-5, 11 JUL 2024 to 08 AUG 2024

SC-5, 11 JUL 2024 to 08 AUG 2024