

APP CRS <b>339°</b>	Rwy Idg TDZE Apt Elev	N/A N/A <b>247</b>
------------------------	-----------------------------	--------------------------

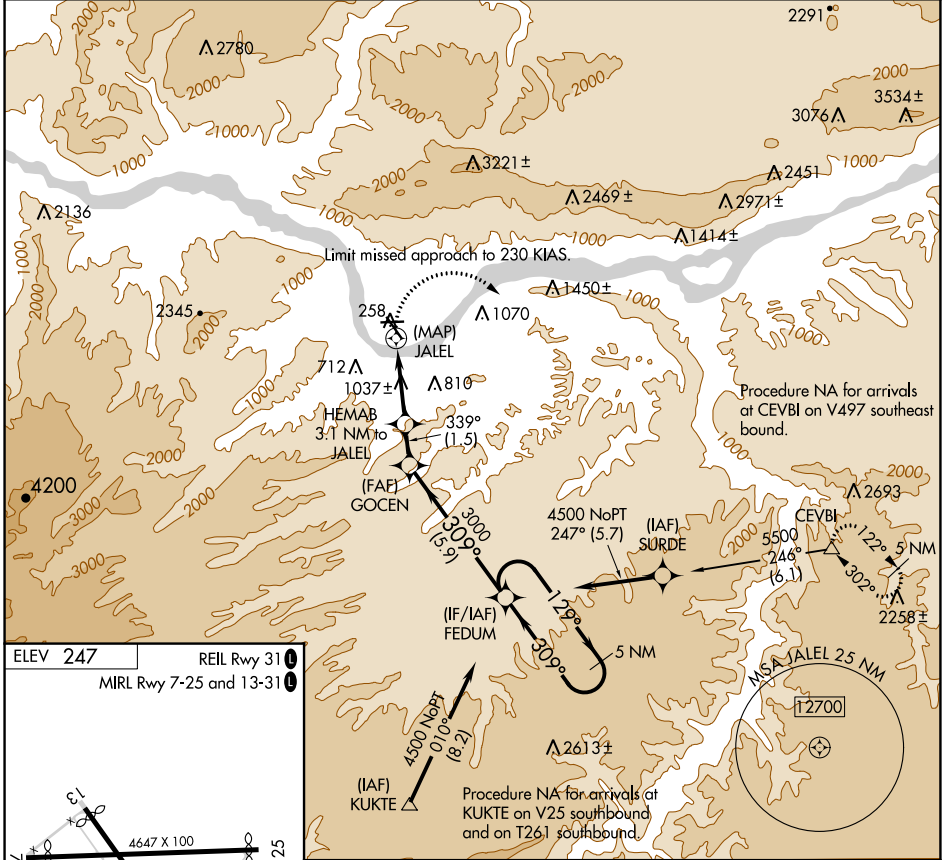
# RNAV (GPS)-A

COLUMBIA GORGE RGNL/THE DALLES MUNI (DLS)

**⚠** Circling to Rwy 7, 31 NA at night. When local altimeter setting not received, procedure NA. Circling NA for Cat D north of Rwy 7 and northeast of Rwy 31. DME/DME RNP-0.3 NA.

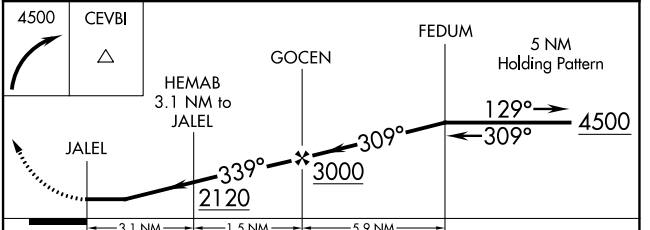
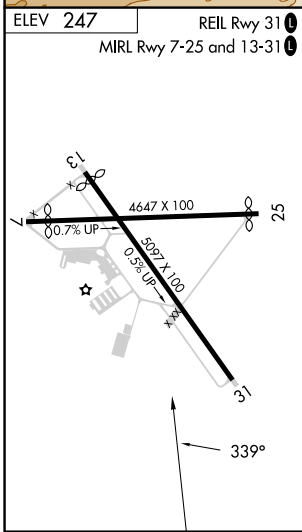
**⚠** MISSED APPROACH: Climbing right turn to 4500 direct CEVBI and hold.

ASOS <b>135.175</b>	SEATTLE CENTER <b>119.65 257.6</b>	UNICOM <b>123.0 (CTAF) 0</b>
------------------------	---------------------------------------	---------------------------------



NW-1, 11 JUL 2024 to 08 AUG 2024

NW-1, 11 JUL 2024 to 08 AUG 2024



CATEGORY	A	B	C	D
<b>C</b> CIRCLING	1320-1¼ 1073 (1100-1¼)	1340-1½ 1093 (1100-1½)	1720-3 1473 (1500-3)	2100-3 1853 (1900-3)