

MOUNTAIN TWO DEPARTURE
(MONTN2,SEA) 14JUL22

(MONTN2,SEA) 23334
MOUNTAIN TWO DEPARTURE

SEATTLE DEP CON
119.2 284.7

RADAR and DME required.

PRINCETON
113.9 YDC
Chan 86

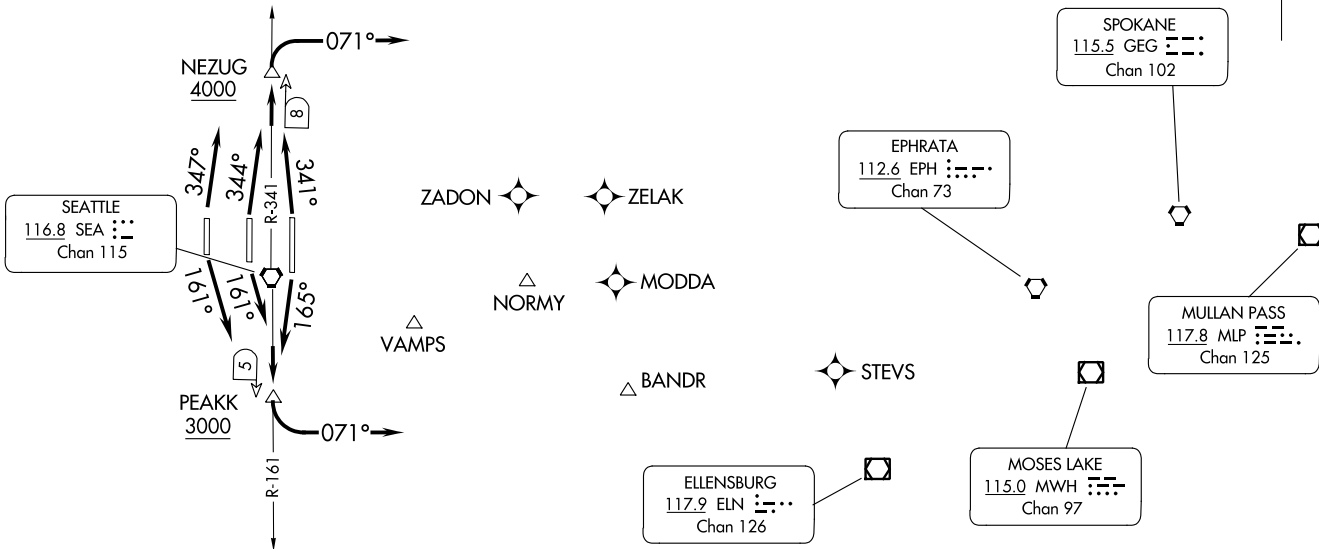
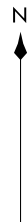
TOP ALTITUDE:
ASSIGNED BY ATC

ALPSE

PAINE
110.6 PAE
Chan 43

TAKEOFF MINIMUMS

Rwy 16L: Standard with minimum climb of 560' per NM to 3000.
Rwy 16C: Standard with minimum climb of 515' per NM to 3000.
Rwy 16R: Standard with minimum climb of 500' per NM to 3000.
Rwys 34L/C/R: Standard with minimum climb of 580' per NM to 4000.



SEATTLE WASHINGTON
SEATTLE-TACOMA INTL (SEA)

SEATTLE-TACOMA INTL (SEA)
SEATTLE, WASHINGTON

(CONTINUED ON FOLLOWING PAGE)

NOTE: Chart not to scale.



DEPARTURE ROUTE DESCRIPTION

TAKEOFF RUNWAY 16L: Climb on heading 165° and SEA VORTAC R-161 to cross PEAKK/SEA 5 DME at or above 3000, then left turn on heading 071° for RADAR vectors to assigned route/fix, thence. . . .

TAKEOFF RUNWAYS 16C/R: Climb on heading 161° and SEA VORTAC R-161 to cross PEAKK/SEA 5 DME at or above 3000, then left turn on heading 071° for RADAR vectors to assigned route/fix, thence. . . .

TAKEOFF RUNWAY 34L: Climb on heading 347° and SEA VORTAC R-341 to cross NEZUG/SEA 8 DME at or above 4000, then right turn on heading 071° for RADAR vectors to assigned route/fix, thence. . . .

TAKEOFF RUNWAY 34C: Climb on heading 344° and SEA VORTAC R-341 to cross NEZUG/SEA 8 DME at or above 4000, then right turn on heading 071° for RADAR vectors to assigned route/fix, thence. . . .

TAKEOFF RUNWAY 34R: Climb on heading 341° and SEA VORTAC R-341 to cross NEZUG/SEA 8 DME at or above 4000, then right turn on heading 071° for RADAR vectors to assigned route/fix, thence. . . .

. . . .Maintain ATC assigned altitude, expect altitude/flight level 15 NM from SEA VORTAC.

LOST COMMUNICATIONS: If no contact with ATC leaving 4000', proceed direct SEA VORTAC, then proceed on course.

NW-1, 11 JUL 2024 to 08 AUG 2024

NW-1, 11 JUL 2024 to 08 AUG 2024