

APP CRS Rwy Idg **4538**
 159° TDZE **344**
 Apt Elev **345**

RNAV (GPS) RWY 14

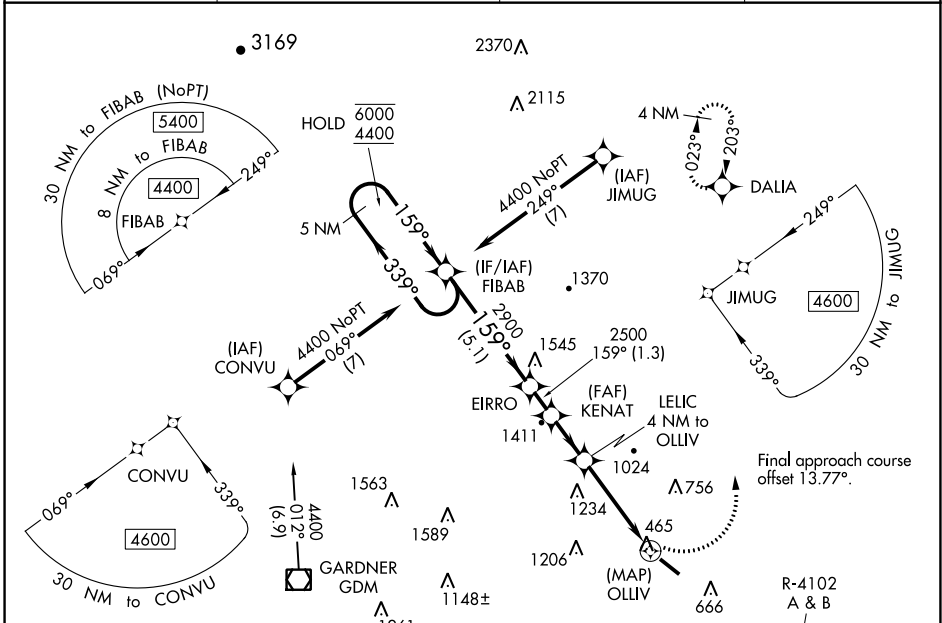
FITCHBURG MUNI (FIT)

RNP APCH.

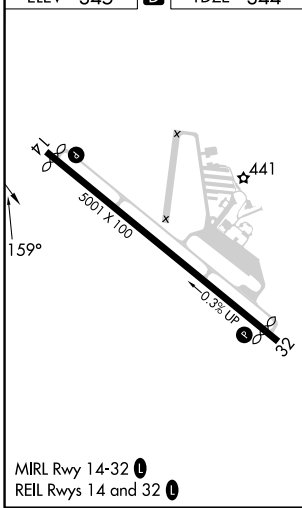
▽ Rwy 14 helicopter visibility reduction below 3/4 SM NA.
⚠ Circling NA southwest of Rwy 14-32 at night.
❄ -22°C

MISSED APPROACH: Climbing left turn to 3500 direct DALIA and hold.

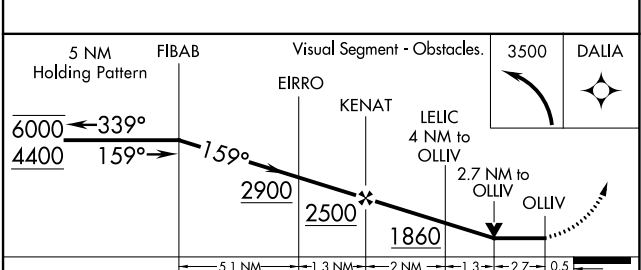
ASOS 135.175	BOSTON APP CON 124.4 279.6	UNICOM 122.7 (CTAF)	123.0 0
------------------------	--------------------------------------	-------------------------------	-----------------------



ELEV 345 **D** TDZE 344



Procedure NA for arrival on GDM VOR/DME airway radials 339 CW 042.



CATEGORY	A	B	C	D
LNAV MDA	1420-1 1/4 1076 (1100-1 1/4)	1420-1 1/2 1076 (1100-1 1/2)	1420-3 1076 (1100-3)	NA
C CIRCLING	1420-1 1/4 1075 (1100-1 1/4)	1420-1 1/2 1075 (1100-1 1/2)	1520-3 1175 (1200-3)	NA

NE-1, 11 JUL 2024 to 08 AUG 2024

NE-1, 11 JUL 2024 to 08 AUG 2024