

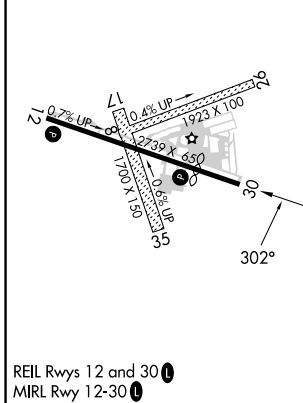
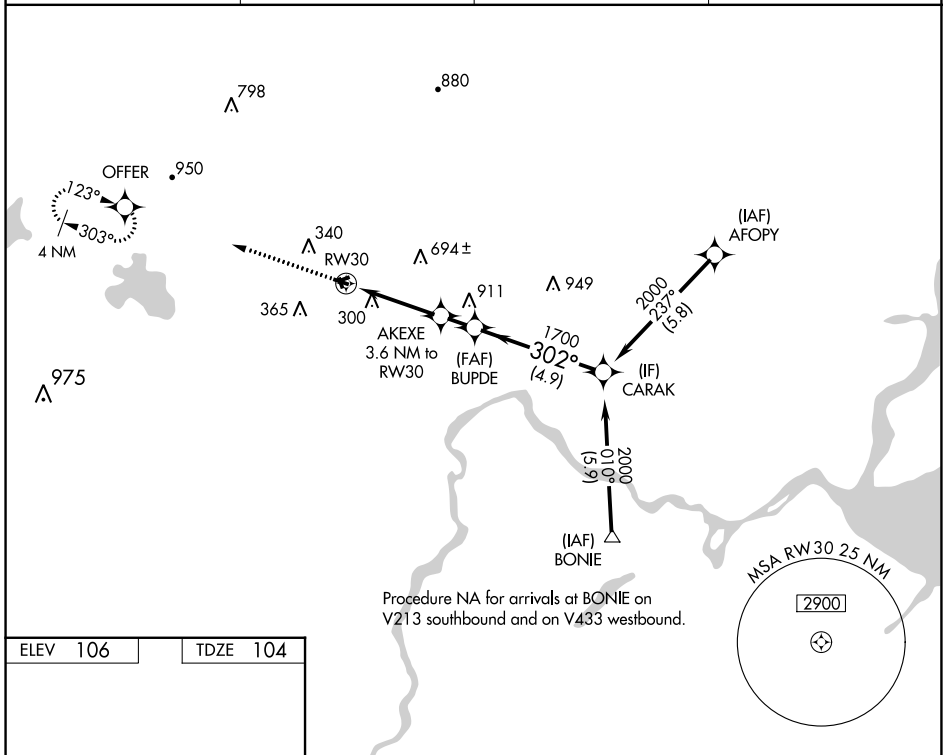
|                        |                             |   |
|------------------------|-----------------------------|---|
| APP CRS<br><b>302°</b> | Rwy Idg<br>TDZE<br>Apt Elev | <b>2539</b><br><b>104</b><br><b>106</b> |
|------------------------|-----------------------------|---|

# RNAV (GPS) RWY 30

SOMERSET (SMQ)

|                 |   |
|-----------------|---|
| RNP APCH - GPS. | MISSED APPROACH: Climb to 2500 direct OFFER and hold. |
|-----------------|---|

|                      |  |                               |                  |
|----------------------|--|-------------------------------|------------------|
| ASOS<br><b>120.6</b> | NEW YORK APP CON<br><b>132.8 379.9</b> | UNICOM<br><b>123.0 (CTAF)</b> | <b>118.325 0</b> |
|----------------------|--|-------------------------------|------------------|



|                   |                      |                             |    |   |
|-------------------|----------------------|-----------------------------|----|---|
| 2500              | OFFER                | Visual Segment - Obstacles. |    |   |
|                   |                      |                             |    |   |
| CATEGORY          | A                    | B                           | C  | D |
| LNAV MDA          | 960-1<br>856 (900-1) | 960-1¼<br>856 (900-1¼)      | NA |   |
| <b>C</b> CIRCLING | 960-1¼               | 854 (900-1¼)                | NA |   |

NE-2, 11 JUL 2024 to 08 AUG 2024

NE-2, 11 JUL 2024 to 08 AUG 2024