

LOC I-IWD <b>111.5</b>	APP CRS <b>270°</b>	Rwy ldg <b>6501</b> TDZE <b>1230</b> Apt Elev <b>1230</b>
---------------------------	------------------------	-----------------------------------------------------------------

# ILS or LOC RWY 27

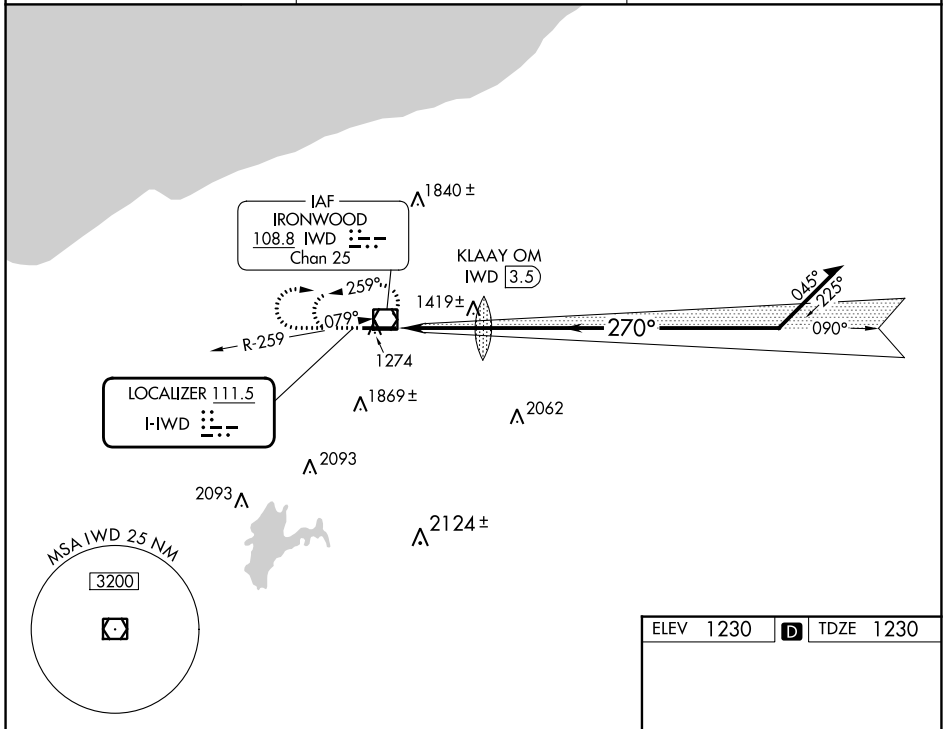
GOGEBIC/IRON COUNTY (IWD)

**NA**  
-27°C

When local altimeter setting not received, use Ashland altimeter setting: increase DA to 1562 feet; increase all MDA 140 feet and S-LOC 27 Cat C/D visibility 1/2 SM and Circling Cat B visibility 1/4 SM. For inop ALS when using Ashland altimeter setting, increase S-ILS 27 all Cats visibility to 1.

**MALSR**  
MISSED APPROACH: Climb to 3300 then right turn direct IWD VOR/DME and hold.

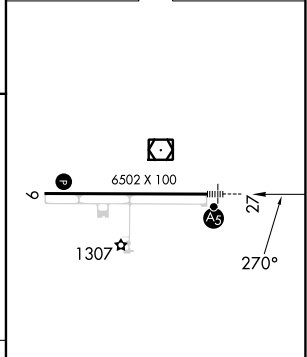
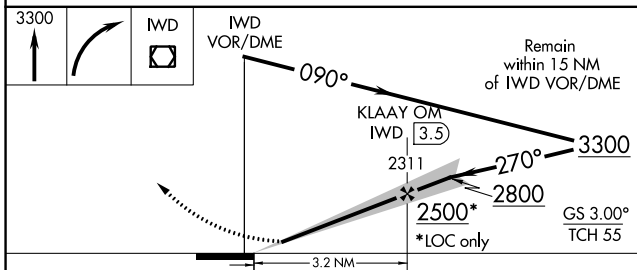
AWOS-3PT <b>125.175</b>	MINNEAPOLIS CENTER <b>133.55</b>	UNICOM <b>122.8 (CTAF)</b>
----------------------------	-------------------------------------	-------------------------------



EC-1, 11 JUL 2024 to 08 AUG 2024

EC-1, 11 JUL 2024 to 08 AUG 2024

ELEV 1230	<b>D</b> TDZE 1230
-----------	--------------------



CATEGORY	A	B	C	D
S-ILS 27		1430-1/2	200 (200-1/2)	
S-LOC 27	1720-1/2	490 (500-1/2)	1720-3/4 490 (500-3/4)	1720-1 490 (500-1)
CIRCLING	2100-1 1/4	870 (900-1 1/4)	2200-3 970 (1000-3)	2220-3 990 (1000-3)

REIL Rwy 9  
HIRL Rwy 9-27

FAF to MAP 3.2 NM

Knots	60	90	120	150	180
Min:Sec	3:12	2:08	1:36	1:17	1:04