

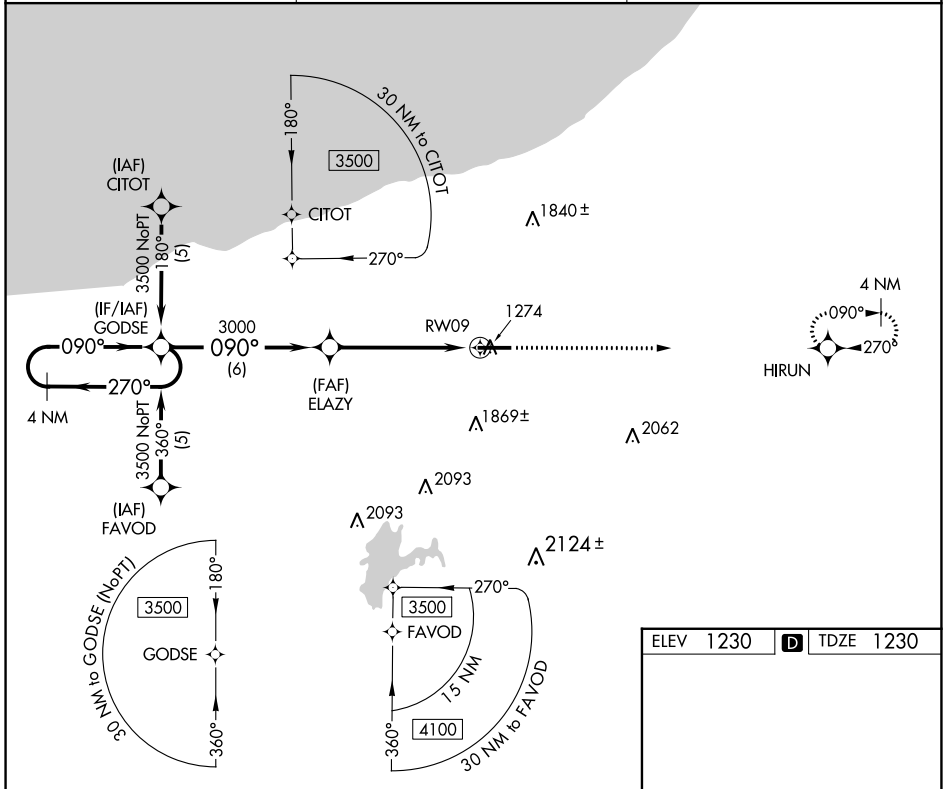
APP CRS	Rwy Idg	6501
090°	TDZE	1230
	Apt Elev	1230

RNAV (GPS) RWY 9

GOGEBIC/IRON COUNTY (IWD)

RNP APCH - GPS.	<p>Visibility reduction by helicopters NA. When local altimeter setting not received, use Ashland altimeter setting: increase all MDA 140 feet and LNAV Cat B visibility 1/4 SM, Cat C/D visibility 1/2 SM and Circling Cat B visibility 1/4 SM.</p>	<p>MISSED APPROACH: Climb to 3500 direct HIRUN and hold.</p>
-----------------	--	--

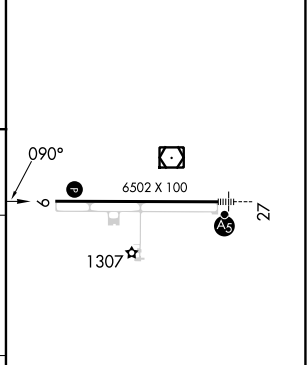
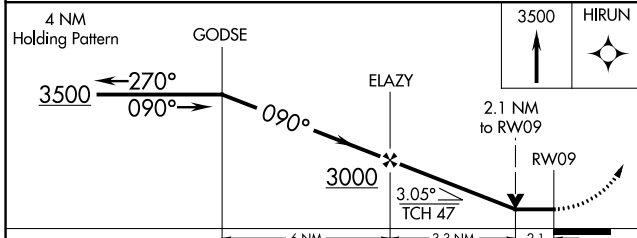
AWOS-3PT 125.175	MINNEAPOLIS CENTER 133.55	UNICOM 122.8 (CTAF)
----------------------------	-------------------------------------	-------------------------------



EC-1, 11 JUL 2024 to 08 AUG 2024

EC-1, 11 JUL 2024 to 08 AUG 2024

ELEV 1230	D TDZE 1230
-----------	--------------------



CATEGORY	A	B	C	D
LNAV MDA	1940-1 710 (800-1)		1940-2 710 (800-2)	1940-2 1/4 710 (800-2 1/4)
CIRCLING	2100-1 1/4 870 (900-1 1/4)		2200-3 970 (1000-3)	2220-3 990 (1000-3)

REIL Rwy 9 **D**
HIRL Rwy 9-27 **D**