

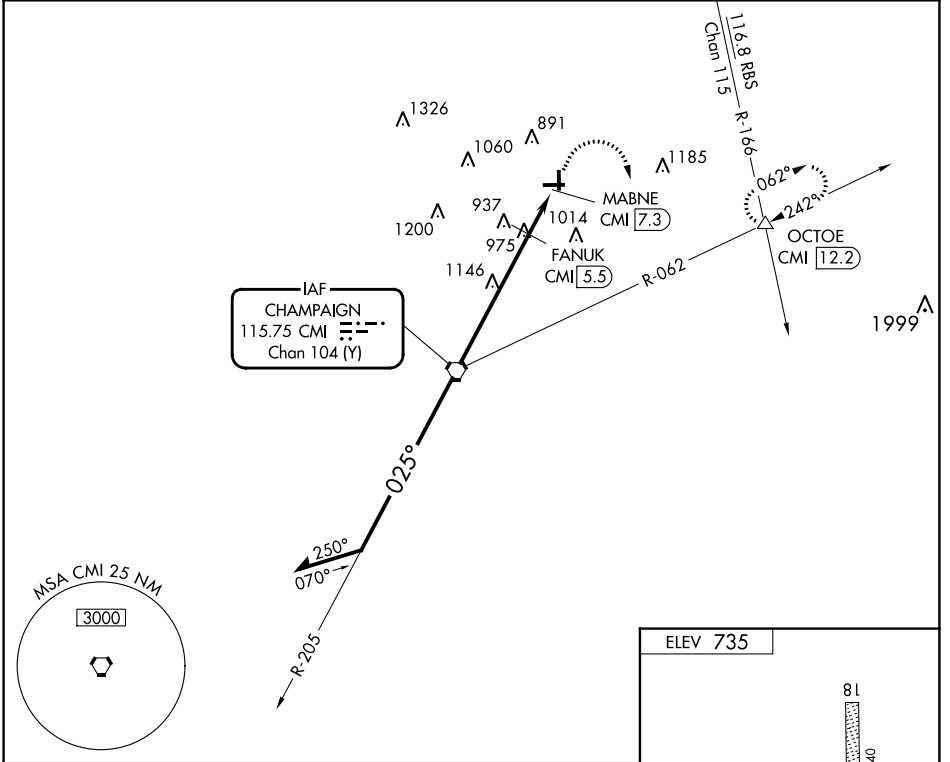
VORTAC CMI <b>115.75</b> Chan <b>104 (Y)</b>	APP CRS <b>025°</b>	Rwy Idg TDZE Apt Elev	<b>N/A</b> <b>N/A</b> <b>735</b>
--	------------------------	-----------------------------	--

**VOR-A**  
FRASCA FLD (C16)

**▲ NA** Circling NA to Rwy 18 and 36. Procedure NA at night. Use University of Illinois/Willard altimeter setting; when not received, use Decatur altimeter setting; increase all MDAs 80 feet and visibility: Cats A and B ¼ SM, Cat C ½ SM and Cat D ¾ SM; increase FANUK fix minimum visibility Cats C and D ¼ SM.

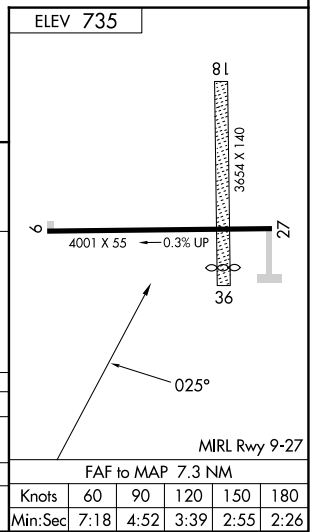
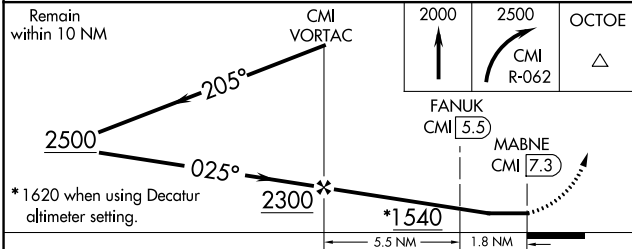
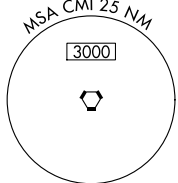
MISSED APPROACH: Climb to 2000 then climbing right turn to 2500 on CMI VORTAC R-062 to OCTOE INT and hold.

CMI ASOS <b>124.85</b>	CHAMPAIGN APP CON ★ <b>121.35 285.65</b>	UNICOM <b>122.8 (CTAF)</b>
---------------------------	---	-------------------------------



EC-3, 11 JUL 2024 to 08 AUG 2024

EC-3, 11 JUL 2024 to 08 AUG 2024



CATEGORY	A	B	C	D
<b>C</b> CIRCLING	1540-1	805 (900-1)	1540-2¼ 805 (900-2¼)	1560-2¾ 825 (900-2¾)
FANUK FIX MINIMUMS				
<b>C</b> CIRCLING	1300-1	565 (600-1)	1420-2 685 (700-2)	1560-2¾ 825 (900-2¾)

FAF to MAP 7.3 NM					
Knots	60	90	120	150	180
Min:Sec	7:18	4:52	3:39	2:55	2:26