



| | | | |
|----------------------------|------------------------|-----------------------------|---|
| LOC I-SQK 108.35 | APP CRS 185° | Rwy Idg TDZE Apt Elev | 6503 866 866 |
|----------------------------|------------------------|-----------------------------|---|

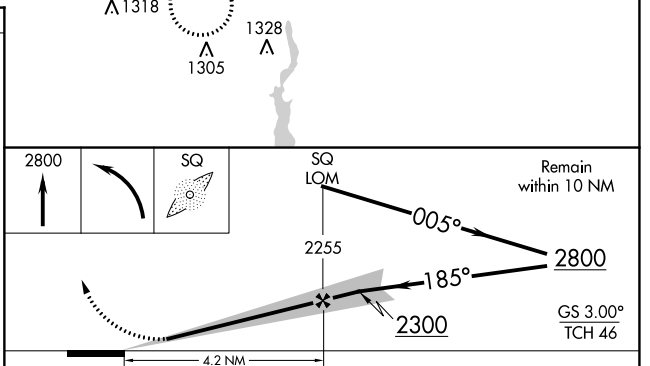
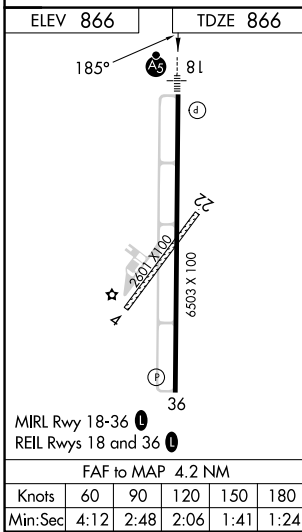
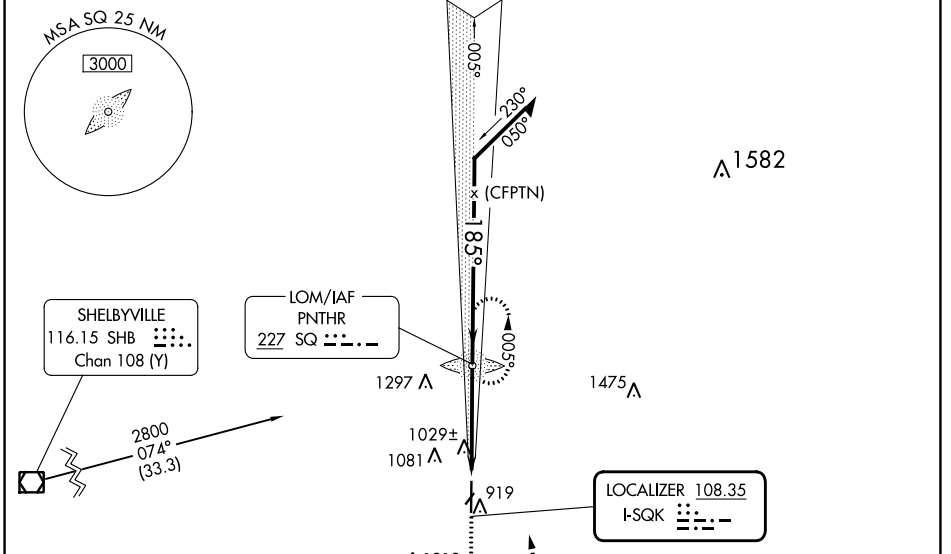
ILS or LOC RWY 18
METTEL FLD (CEV)


ADF required.

NA Circling NA to Rwys 4 and 22. For inop MALS, increase S-LOC 18 Cats C/D visibility to 1 1/2 mile. When local altimeter setting not received, use James M Cox Dayton Intl altimeter setting and increase ILS DA to 1237 feet and visibility all Cats to 3/4 mile, increase all MDA 140 feet and LOC Cats C/D visibility to 1 1/2 mile, and Circling Cat B visibility to 1 1/4 miles and Cat C to 2 3/4 miles and Cat D to 3 miles. When using James M Cox Dayton Intl altimeter setting: for inop MALS, increase S-ILS 18 all Cats visibility to 1 mile and increase S-LOC 18 Cat A/B visibility to 1 mile and Cat C/D to 1 1/2 mile.

MALS  MISSED APPROACH: Climb to 2800 then left turn direct SQ LOM and hold.

| | | |
|--------------------------|--|---|
| AWOS-3 118.325 | COLUMBUS APP CON 134.45 352.05 | UNICOM 122.8 (CTAF)  |
|--------------------------|--|---|



| CATEGORY | A | B | C | D |
|--|-----------------------|-----------------------|-------------------------------|-------------------------------|
| S-ILS 18 | 1116-1/2 | | 250 (300-1/2) | |
| S-LOC 18 | 1280-1/2 | 414 (500-1/2) | 1280-3/4 | 414 (500-3/4) |
|  CIRCLING | 1440-1 574 (600-1) | 1540-1 674 (700-1) | 1620-2 1/4 754 (800-2 1/4) | 1620-2 1/2 754 (800-2 1/2) |

EC-2, 11 JUL 2024 to 08 AUG 2024

EC-2, 11 JUL 2024 to 08 AUG 2024