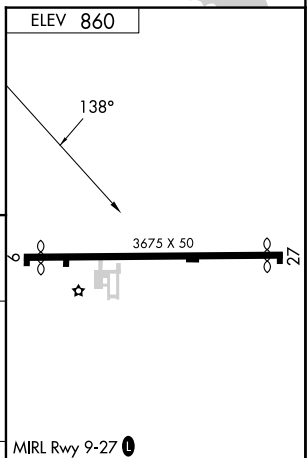
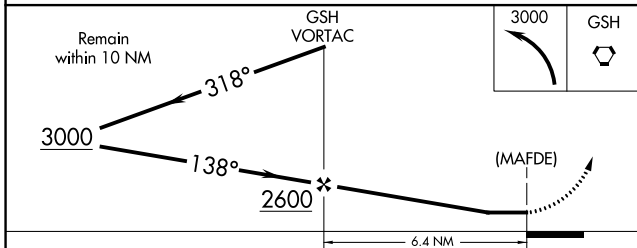
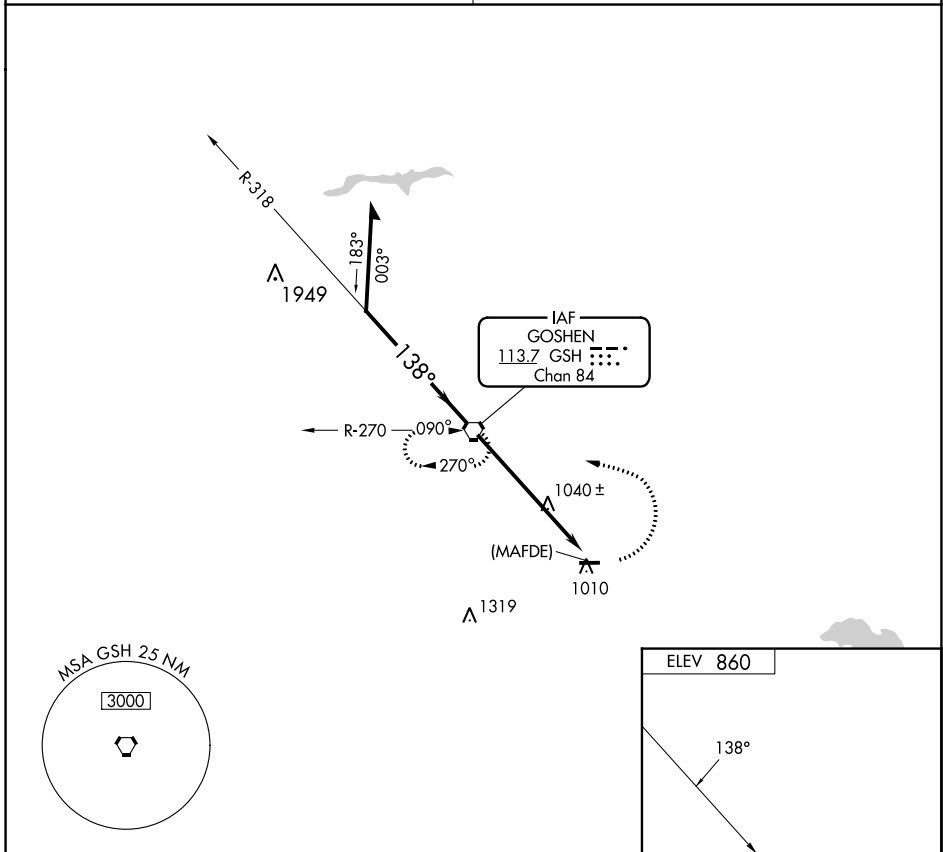


VORTAC GSH <b>113.7</b> Chan <b>84</b>	APP CRS <b>138°</b>	Rwy Idg TDZE Apt Elev <b>N/A</b> <b>N/A</b> <b>860</b>
--	------------------------	--

**VOR or GPS-B**  
NAPPANEE MUNI (C03)

<p><b>▼</b> Use South Bend altimeter setting.</p> <p><b>▲ NA</b></p>	<p>MISSED APPROACH: Climbing left turn to 3000 direct GSH VORTAC and hold.</p>
<p>SOUTH BEND APP CON *</p> <p><b>132.05 257.8</b></p>	<p>UNICOM</p> <p><b>123.0 (CTAF) 0</b></p>



CATEGORY	A	B	C	D	FAF to MAP 6.4 NM					
CIRCLING	1420-1 560 (600-1)		NA		Knots	60	90	120	150	180
					Min:Sec	6:24	4:16	3:12	2:34	2:08

EC-2, 11 JUL 2024 to 08 AUG 2024

EC-2, 11 JUL 2024 to 08 AUG 2024