

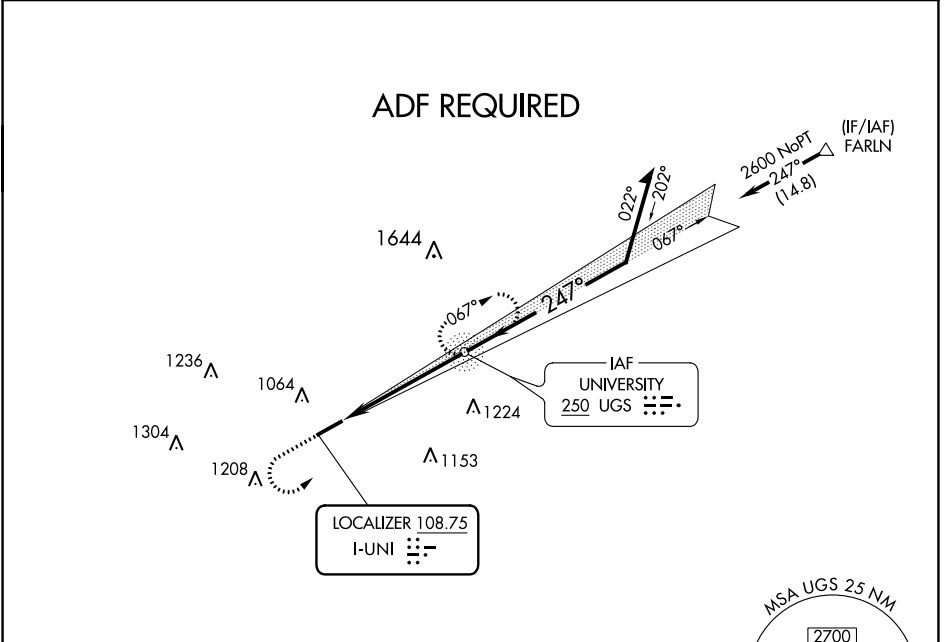
LOC I-UNI <b>108.75</b>	APP CRS <b>247°</b>	Rwy ldg TDZE Apt Elev	<b>5600</b> <b>765</b> <b>766</b>
----------------------------	------------------------	-----------------------------	---

# ILS or LOC RWY 25

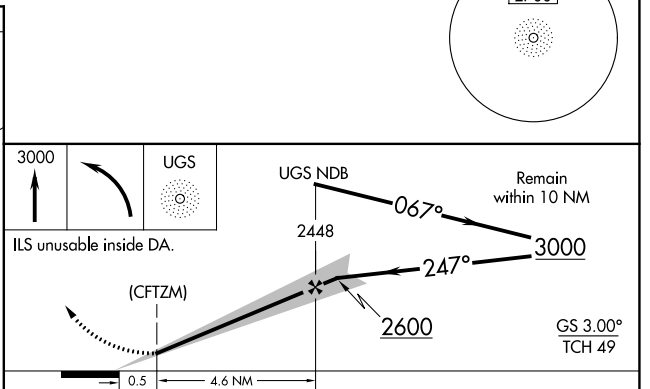
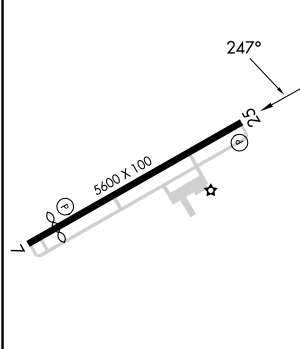
OHIO UNIVERSITY (UNI)

<p><b>▽</b> ADF required.</p> <p><b>△</b> NA</p>	<p>MISSED APPROACH: Climb to 3000 then left turn direct UGS NDB and hold.</p>
--	---

AWOS-3 <b>128.325</b>	HUNTINGTON APP CON <b>120.95 270.1</b>	CLNC DEL <b>120.95</b>	UNICOM <b>123.075</b> (CTAF) <b>0</b>
--------------------------	---	---------------------------	--



ELEV 766	TDZE 765
----------	----------



FAF to MAP 4.6 NM					
Knots	60	90	120	150	180
Min:Sec	4:36	3:04	2:18	1:50	1:32
<b>C</b> CIRCLING	1420-1	654 (700-1)	1420-1 $\frac{7}{8}$	654 (700-1 $\frac{7}{8}$ )	1480-2 $\frac{1}{4}$ 714 (800-2 $\frac{1}{4}$ )

EC-2, 11 JUL 2024 to 08 AUG 2024

EC-2, 11 JUL 2024 to 08 AUG 2024