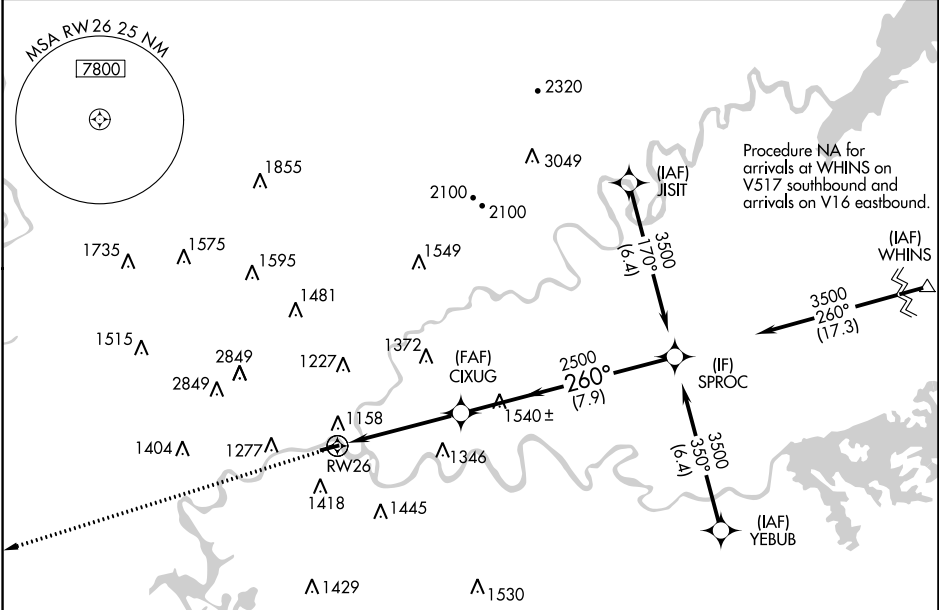


APP CRS 260°	Rwy ldg TDZE Apt Elev	3499 832 833
------------------------	-----------------------------	---

RNAV (GPS) RWY 26

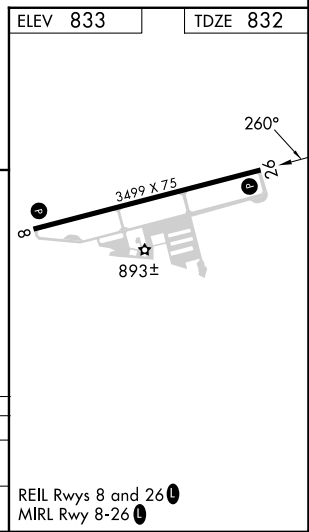
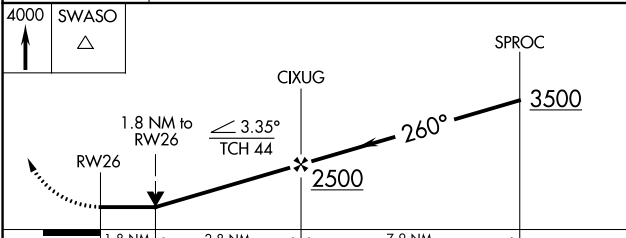
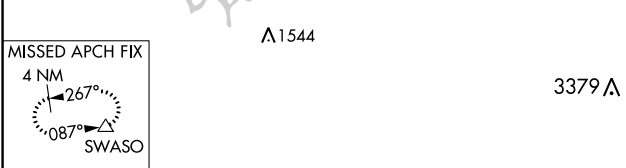
KNOXVILLE DOWNTOWN ISLAND (DKX)

RNP APCH - GPS.		MISSED APPROACH: Climb to 4000 direct SWASO and hold.	
Rwy 26 helicopter visibility reduction below 3/4 SM NA.		AWOS-3 125.375	KNOXVILLE APP CON 123.9 353.6
		CINC DEL 121.7	UNICOM 123.075 (CTAF)



SE-1, 11 JUL 2024 to 08 AUG 2024

SE-1, 11 JUL 2024 to 08 AUG 2024



CATEGORY	A	B	C	D
LNVA MDA	1520-1	688 (700-1)	1520-2 688 (700-2)	NA
CIRCLING	1600-1 767 (800-1)	1720-1 1/4 887 (900-1 1/4)	1720-2 3/4 887 (900-2 3/4)	NA

REIL Rwy 8 and 26
MIRL Rwy 8-26