

VOR OZB 109.0	APP CRS 123°	Rwy ldg 5000
		TDZE 2503
		Apt Elev 2503

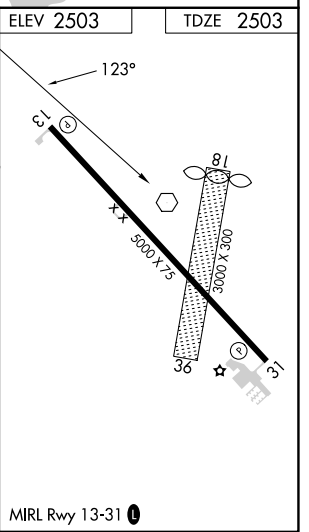
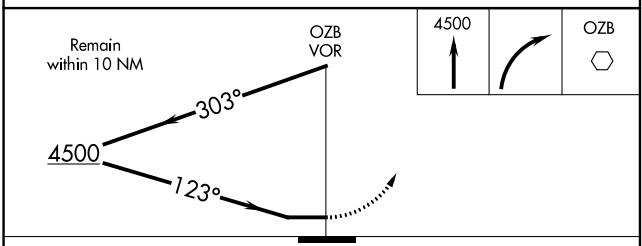
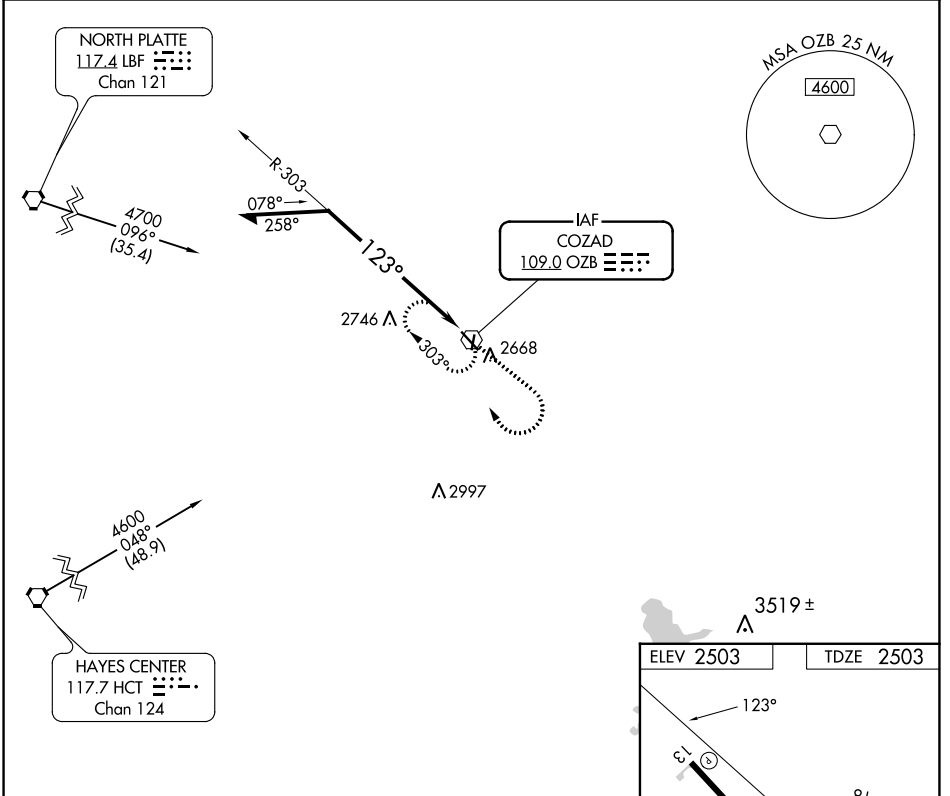
VOR RWY 13

COZAD MUNI (CZD)

V Use Lexington altimeter setting; when not received, use North Platte altimeter setting and increase all MDAs 80 feet, increase Circling Cat C visibility 1/4 SM. Circling NA to Rwys 18 and 36. Rwy 13 helicopter visibility reduction below 3/4 SM NA.

MISSED APPROACH: Climb to 4500 then right turn direct OZB VOR and hold.

LXN AWOS-3 121.025	DENVER CENTER 132.7 226.675	UNICOM 122.8 (CTAF)
------------------------------	---------------------------------------	-------------------------------



CATEGORY	A	B	C	D
S-13	3140-1	637 (700-1)	3140-1 3/4 637 (700-1 3/4)	NA
C CIRCLING	3140-1	637 (700-1)	3140-1 3/4 637 (700-1 3/4)	NA

NC-2, 11 JUL 2024 to 08 AUG 2024

NC-2, 11 JUL 2024 to 08 AUG 2024