

**TOP ALTITUDE:
ASSIGNED BY ATC**

(AEX3.AEX) 24137

AL-4453 (FAA)

TEXAS GULF COAST RGNL (L,B,X)
ANGLETON/LAKE JACKSON, TEXAS

ASOS
119.925
CLNC DEL
125.2
CTAF
123.0
HOUSTON DEP CON
134.45 284.0

LUFKIN
112.1 LFK
Chan 58

ALEXANDRIA
116.1 AEX
Chan 108

MC COMB
116.7 MCB
Chan 114

POLK
108.4 FXU

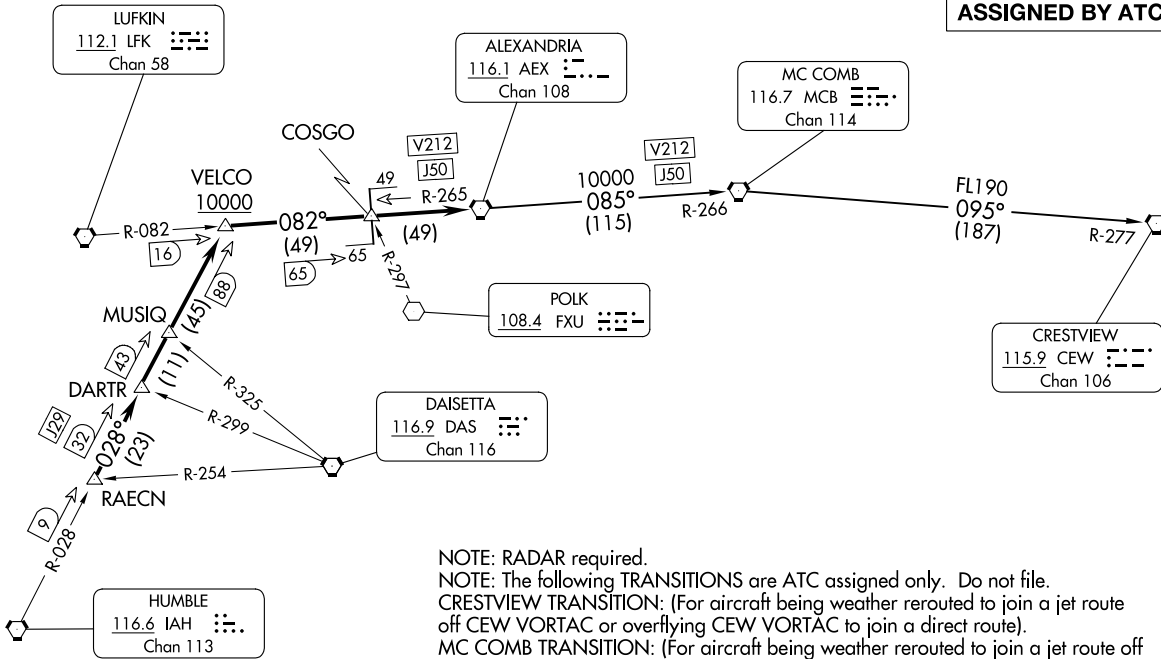
DAISETTA
116.9 DAS
Chan 116

CRESTVIEW
115.9 CEW
Chan 106

HUMBLE
116.6 IAH
Chan 113

TAKEOFF MINIMUMS
Rwys 17, 35: Standard.

NOTE: RADAR required.
NOTE: The following TRANSITIONS are ATC assigned only. Do not file.
CRESTVIEW TRANSITION: (For aircraft being weather rerouted to join a jet route off CEW VORTAC or overflying CEW VORTAC to join a direct route).
MC COMB TRANSITION: (For aircraft being weather rerouted to join a jet route off MCB VORTAC or overflying MCB VORTAC to join a direct route).



ALEXANDRIA THREE DEPARTURE
(AEX3.AEX) 07OCT21

ANGLETON/LAKE JACKSON, TEXAS
TEXAS GULF COAST RGNL (L,B,X)

NOTE: Chart not to scale.

(CONTINUED ON FOLLOWING PAGE)

ALEXANDRIA THREE DEPARTURE



DEPARTURE ROUTE DESCRIPTION

TAKEOFF ALL RUNWAYS: When entering controlled airspace, climb on assigned heading for RADAR vectors to RAECN INT. Maintain ATC assigned altitude. Expect filed altitude 10 minutes after departure, thence. . . .

. . . .on IAH R-028 to VELCO INT, cross VELCO INT at or above 10000, then right turn on LFK R-082 and AEX R-265 to AEX VORTAC.

CRESTVIEW TRANSITION (AEX3.CEW): From over AEX VORTAC on AEX R-085 and MCB R-266 to MCB VORTAC, then on MCB R-095 and CEW R-277 to CEW VORTAC.

MC COMB TRANSITION (AEX3.MCB): From over AEX VORTAC on AEX R-085 and MCB R-266 to MCB VORTAC.

SC-5, 11 JUL 2024 to 08 AUG 2024

SC-5, 11 JUL 2024 to 08 AUG 2024