

WAAS CH 70641 W17A	APP CRS 172°	Rwy Idg TDZE Apt Elev	5399 3677 3677
--	------------------------	-----------------------------	---

RNAV (GPS) RWY 17

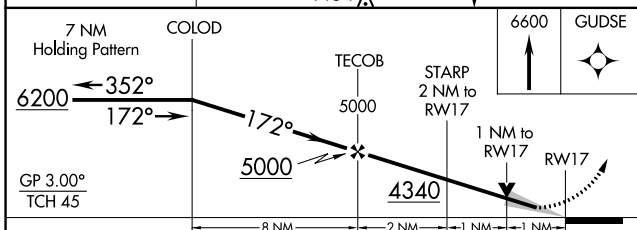
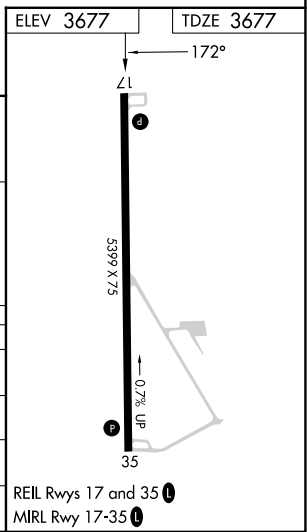
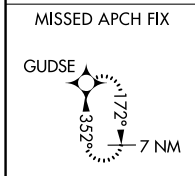
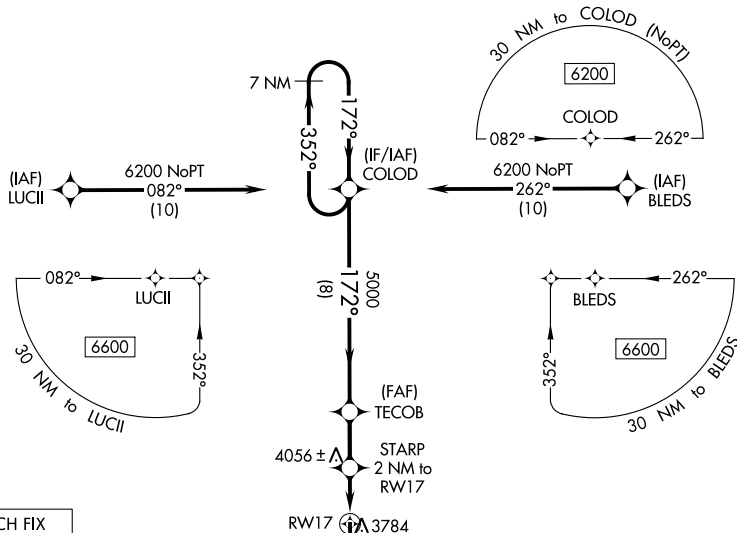
WRAY MUNI (2V5)

RNP APCH - GPS.

▽ For uncompensated Baro-VNAV systems, LNAV/VNAV NA below -22°C or above 53°C.
△ Baro-VNAV and VDP NA when using Imperial altimeter setting. When local altimeter setting not received, use Imperial altimeter setting and increase LPV DA to 4020 feet, increase LNAV/VNAV DA to 4088 feet and all visibilities 1/8 SM. Increase all MDAs 160 feet and LNAV visibility Cat C/D 1/2 SM, and Circling visibility Cat C 1/2 SM, Cat D 1/4 SM.

MISSED APPROACH:
Climb to 6600 direct GUDSE and hold.

AWOS-3 118.25	DENVER CENTER 132.7 226.675	UNICOM 122.8 (CTAF) 0
-------------------------	---------------------------------------	---------------------------------



CATEGORY	A	B	C	D
LPV DA		3877-1	200 (200-1)	
LNAV/VNAV DA		3945-1	268 (300-1)	
LNAV MDA		4040-1	363 (400-1)	
CIRCLING	4100-1 423 (500-1)	4140-1 463 (500-1)	4540-2 1/2 863 (900-2 1/2)	4540-2 3/4 863 (900-2 3/4)

SW-1, 11 JUL 2024 to 08 AUG 2024

SW-1, 11 JUL 2024 to 08 AUG 2024