

HI-ILS Y or LOC Y RWY 22

LOC I-FNF 110.1	APCH CRS 219°	Rwy Idg TDZE Arprt Elev 8001 31 33
---------------------------	-------------------------	--

AL-197 [USAF]

ELLINGTON (KEFD)

DME required. RADAR required for procedure entry.

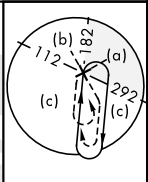


MISSED APPROACH: Climb to 700 then climbing left turn to 3100 on EFD TACAN R-136 to WATFO/EFD 16 DME and hold.

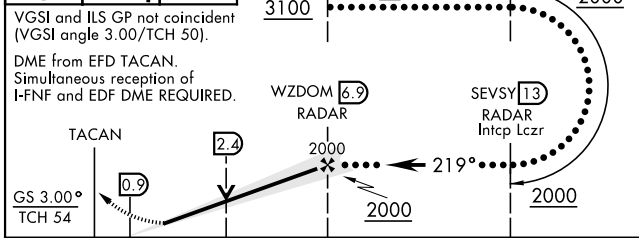
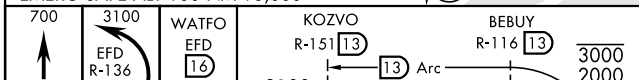
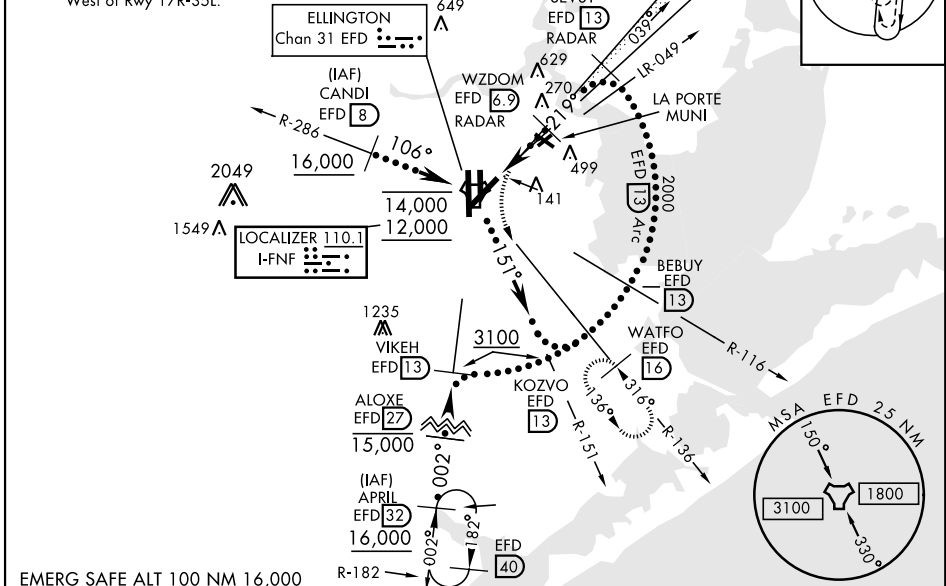
*When ALS inop, increase CAT E RVR to 40.
**When ALS inop, increase CAT E vis to 1/2 mile.

ATIS 135.575 269.9	HOUSTON APP CON 134.45 284.0	TOWER 126.05 253.5	GND CON 121.6 275.8
------------------------------	--	------------------------------	-------------------------------

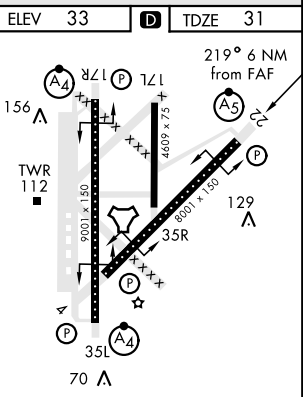
EFD TACAN	N29°36.36' W95°09.58'
CANDI	N29°39.24' W95°18.17'
APRIL	N29°04.53' W95°14.05'
WATFO	N29°23.90' W94°58.07'



*** Circling not authorized West of Rwy 17R-35L.



CATEGORY	C	D	E
S-ILS 22 *	231/24	200 (200-1/2)	
S-LOC 22 **	560/55	529 (600-1)	
CIRCLING ***	580-1 1/2 547 (600-1 1/2)	640-2 607 (700-2)	700-2 1/4 667 (700-2 1/4)



HIRL Rwy 4-22 and 17R-35L
TDZL/CL Rwy 17R, 22 and 35L

HI-ILS Y or LOC Y RWY 22

SC-5, 08 AUG 2024 to 05 SEP 2024

SC-5, 08 AUG 2024 to 05 SEP 2024