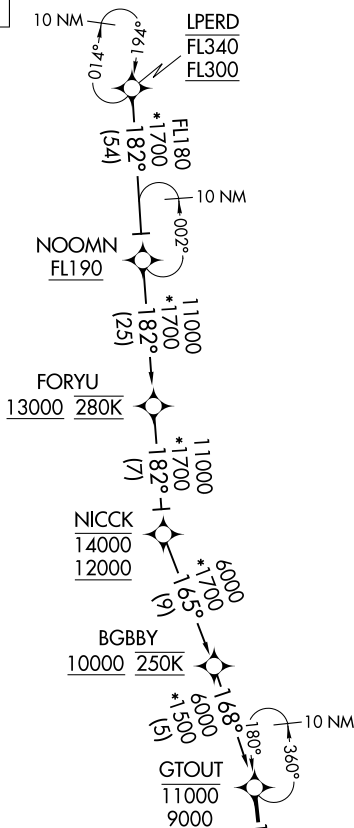


GTOUT ONE ARRIVAL (RNAV)

ORLANDO APP CON
128.375 338.2
MCO D-ATIS ARR
121.25

RNAV 1 - DME/DME/IRU or GPS.

RADAR required.



- NOTE: Jet aircraft only.
- NOTE: FORYU Transition ATC assigned.
- NOTE: TRACON will assign landing runway.
- NOTE: When landing south, for vertical planning select Runway 17L.
- NOTE: When landing north, file and expect SNFLD (RNAV) STAR.

ARRIVAL ROUTE DESCRIPTION

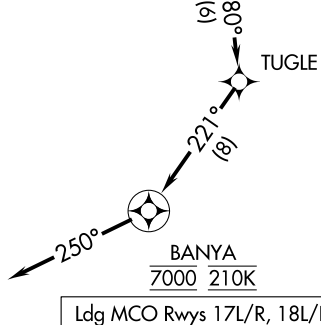
FORYU TRANSITION (FORYU.GTOUT1)

LPERD TRANSITION (LPERD.GTOUT1)

LANDING RUNWAYS 17L/R, 18L/R: From GTOUT on track 180° to TUGLE, then on track 221° to cross BANYA at 7000 and at 210K, then on heading 250° or as assigned by ATC. Expect RADAR vectors to final approach course.

LOST COMMUNICATIONS

MCO LANDING SOUTH: Continue track to BANYA, conduct Rwy 17L approach.



NOTE: Chart not to scale.

GTOUT ONE ARRIVAL (RNAV)

(GTOUT.GTOUT1) 19MAY22

SE-3, 08 AUG 2024 to 05 SEP 2024

SE-3, 08 AUG 2024 to 05 SEP 2024