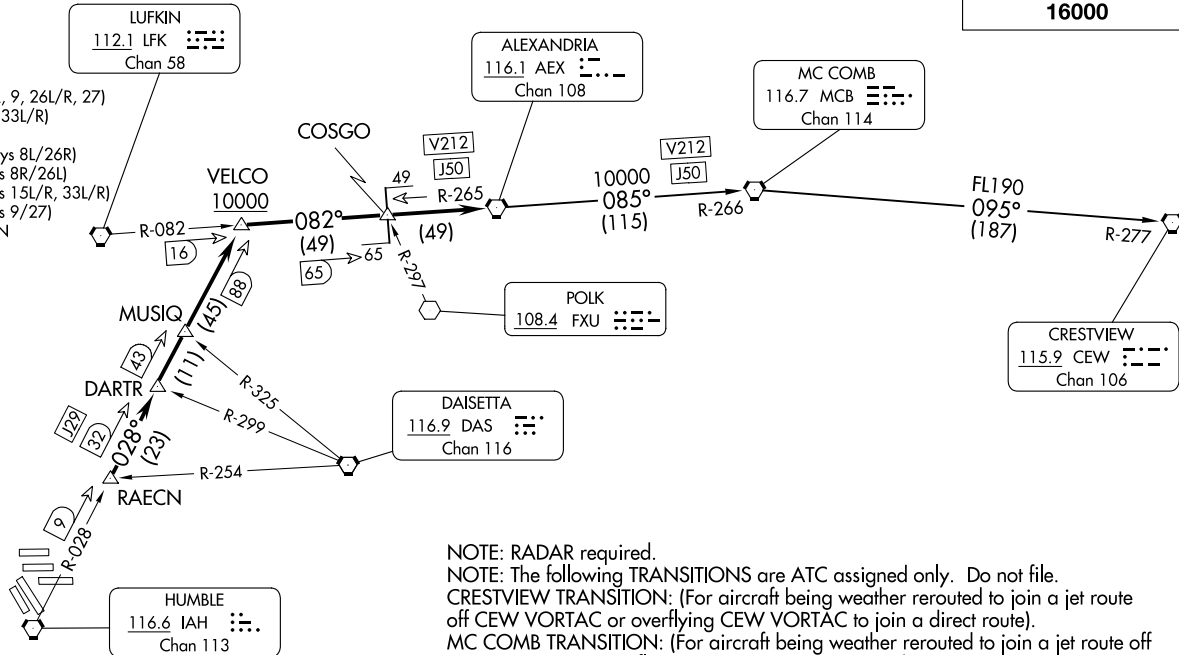


**TOP ALTITUDE:  
16000**

(AEX3.AEX) 24137  
**ALEXANDRIA THREE DEPARTURE**

AL-5461 (FAA)

GEORGE BUSH INTCNL/HOUSTON (IAH)  
HOUSTON, TEXAS



NOTE: RADAR required.  
 NOTE: The following TRANSITIONS are ATC assigned only. Do not file.  
 CRESTVIEW TRANSITION: (For aircraft being weather rerouted to join a jet route off CEW VORTAC or overflying CEW VORTAC to join a direct route).  
 MC COMB TRANSITION: (For aircraft being weather rerouted to join a jet route off MCB VORTAC or overflying MCB VORTAC to join a direct route).

TAKEOFF MINIMUMS

Rwys 8L/R, 9, 15L/R, 26L/R, 27, 33L/R: Standard.

NOTE: Chart not to scale.

(CONTINUED ON FOLLOWING PAGE)

**ALEXANDRIA THREE DEPARTURE**  
(AEX3.AEX) 07OCT21

HOUSTON, TEXAS  
GEORGE BUSH INTCNL/HOUSTON (IAH)



D-ATIS  
 124.05  
 CLNC DEL  
 128.1  
 CPDLC  
 GND CON  
 118.575 (Rwys 8L/R, 9, 26L/R, 27)  
 121.7 (Rwys 15L/R, 33L/R)  
 HOUSTON TOWER  
 120.725 290.2 (Rwys 8L/26R)  
 125.35 290.2 (Rwys 8R/26L)  
 127.3 288.25 (Rwys 15L/R, 33L/R)  
 135.15 290.2 (Rwys 9/27)  
 HOUSTON DEP CON  
 132.25 285.425

LUFKIN  
 112.1 LFK  
 Chan 58

ALEXANDRIA  
 116.1 AEX  
 Chan 108

MC COMB  
 116.7 MCB  
 Chan 114

POLK  
 108.4 FXU

DAISSETA  
 116.9 DAS  
 Chan 116

HUMBLE  
 116.6 IAH  
 Chan 113

CRESTVIEW  
 115.9 CEW  
 Chan 106

# ALEXANDRIA THREE DEPARTURE



## DEPARTURE ROUTE DESCRIPTION

TAKEOFF ALL RUNWAYS: Climb on assigned heading for RADAR vectors to RAECN INT, maintain 16000. Expect filed altitude 10 minutes after departure, thence. . . .

. . . .on IAH R-028 to VELCO INT, cross VELCO INT at or above 10000, then right turn on LFK R-082 and AEX R-265 to AEX VORTAC.

CRESTVIEW TRANSITION (AEX3.CEW): From over AEX VORTAC on AEX R-085 and MCB R-266 to MCB VORTAC, then on MCB R-095 and CEW R-277 to CEW VORTAC.

MC COMB TRANSITION (AEX3.MCB): From over AEX VORTAC on AEX R-085 and MCB R-266 to MCB VORTAC.

SC-5, 08 AUG 2024 to 05 SEP 2024

SC-5, 08 AUG 2024 to 05 SEP 2024