

LOC/DME I-UDL 110.7 Chan 44	APP CRS 276°	Rwy Idg TDZE Apt Elev 8394 7 65
--	------------------------	---

ILS or LOC RWY 28R

FORT LAUDERDALE/HOLLYWOOD INTL (FLL)

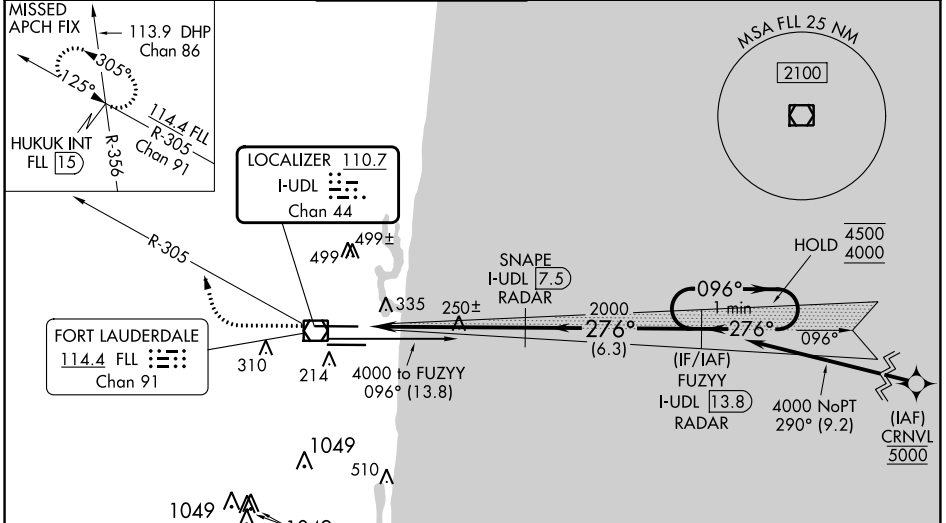
DME or RADAR required. RNP APCH - GPS from CRNVL.

⚠ Simultaneous approach authorized. Inop table does not apply to S-ILS 28R. For inop ALS, increase S-LOC 28R Cats C and D visibility to 1 3/8 SM.

MALS
AS

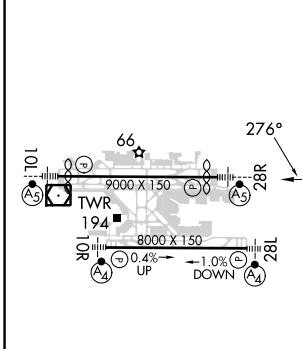
MISSED APPROACH: Climb to 800 then climbing right turn to 4000 on FLL VOR/DME R-305 to HUKUK INT/FLL 15 DME and hold, continue climb-in-hold to 4000.

D-ATIS 135.0	MIAMI APP CON 133.775 285.6	FORT LAUDERDALE TOWER 119.3 257.8	GND CON 121.4	CLNC DEL 128.4	CPDLC
------------------------	---------------------------------------	---	-------------------------	--------------------------	-------



Procedure NA for arrival on FLL VOR/DME airway radials 046 CW 121.

ELEV 65	D	TDZE 7
---------	----------	--------



CATEGORY	A	B	C	D
S-ILS 28R	257/40		250 (200-3/4)	
S-LOC 28R	520/24	513 (500-1/2)	520/55	513 (500-1)
CIRCLING	680-1	615 (700-1)	800-2 735 (800-2)	800-2 1/4 735 (800-2 1/4)

Knots	60	90	120	150	180
Min:Sec	6:06	4:04	3:03	2:26	2:02

SE-3, 05 SEP 2024 to 03 OCT 2024

SE-3, 05 SEP 2024 to 03 OCT 2024