

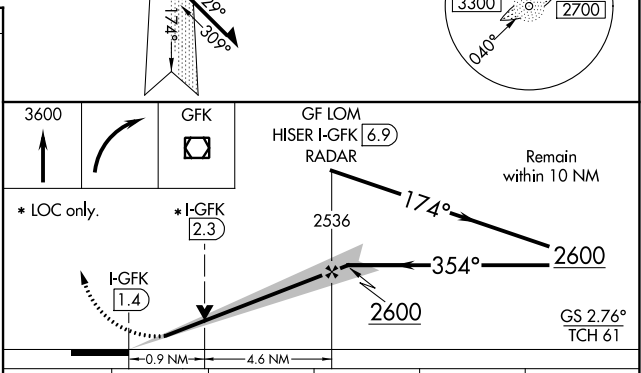
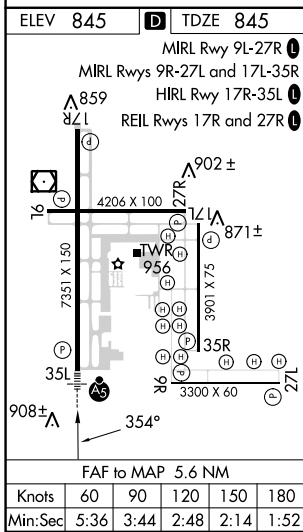
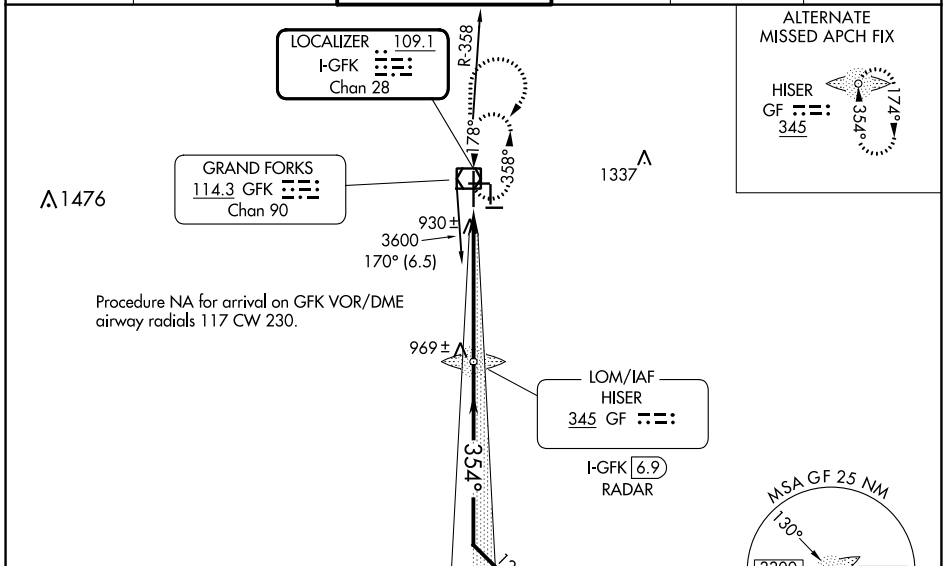
LOC/DME I-GFK 109.1 Chan 28	APP CRS 354°	Rwy Idg 7351 TDZE 845 Apt Elev 845
--	------------------------	---

ILS or LOC RWY 35L

GRAND FORKS INTL (GFK)

ADF or DME or RADAR REQUIRED.		MALSR MISSED APPROACH: Climb to 3600 then right turn direct GFK VOR/DME and hold.
<p>⚠ VDP NA with Crookston altimeter setting. When local altimeter setting not received, use Crookston altimeter setting and increase DA to 1107 feet and all MDA 80 feet; increase S-LOC 35L Cats C/D/E visibility to RVR 4000 and Circling Cats C and E visibility ¼ SM. For inop ALS, increase S-ILS 35L Cat E visibility to RVR 4000 and S-LOC 35L Cat E visibility to RVR 5000. For inop ALS when using Crookston altimeter setting, increase S-ILS 35L all Cats visibility to RVR 4500 and S-LOC 35L Cat C/D/E visibility to RVR 6000. Procedure turn NA for Cat E aircraft, Radar required.</p>		

ATIS 119.4	GRAND FORKS APP CON * 118.1 318.1	GRAND FORKS TOWER* 118.4 (CTAF) 350.35	GND CON 124.575	CLNC DEL 135.725	UNICOM 122.95
----------------------	---	--	---------------------------	----------------------------	-------------------------



CATEGORY	A	B	C	D	E
S-ILS 35L	1045/24 200 (200-½)				
S-LOC 35L	1180/24	335 (400-½)	1180/26 335 (400-½)		
C CIRCLING	1260-1 415 (500-1)	1300-1 455 (500-1)	1400-1½ 555 (600-1½)	1400-2 555 (600-2)	1520-2½ 675 (700-2½)

NC-1, 05 SEP 2024 to 03 OCT 2024

NC-1, 05 SEP 2024 to 03 OCT 2024