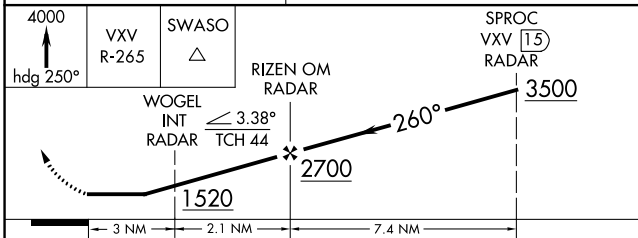
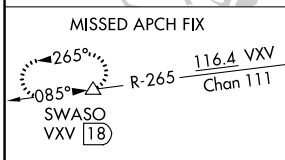
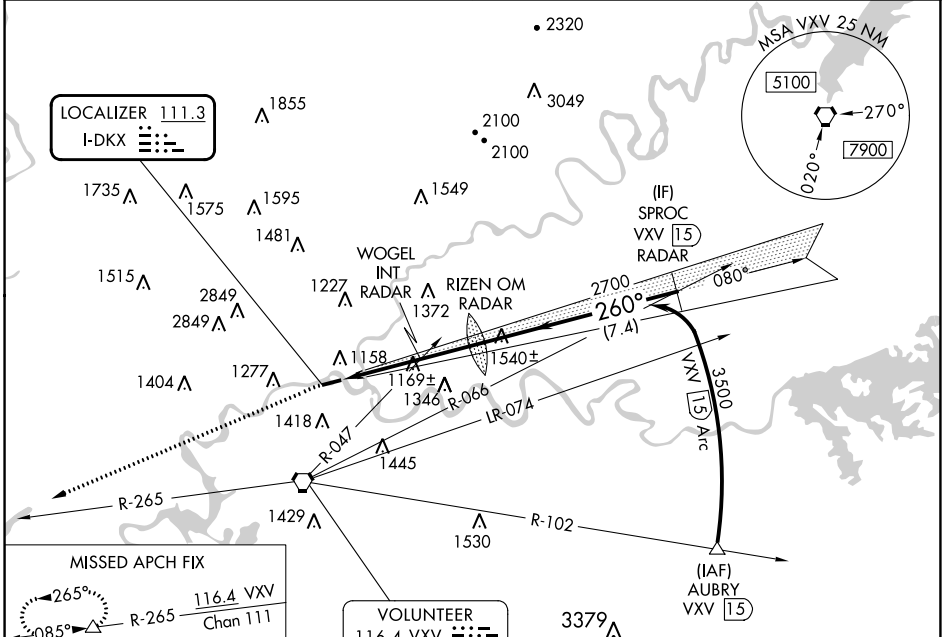


LOC I-DKX 111.3	APP CRS 260°	Rwy Idg TDZE Apt Elev	3499 832 833
---------------------------	------------------------	-----------------------------	---

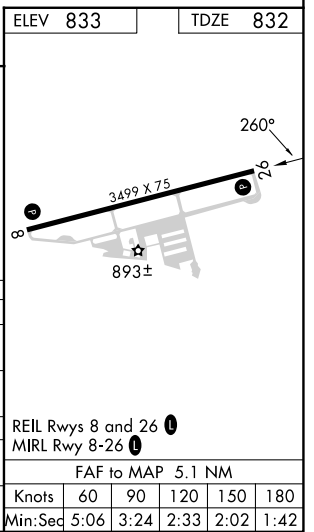
LOC RWY 26

KNOXVILLE DOWNTOWN ISLAND (DKX)

DME required. RADAR required for procedure entry.		MISSED APPROACH: Climb to 4000 on heading 250° and on VXV VORTAC R-265 to SWASO/VXV 18 DME and hold.	
Rwy 26 helicopter visibility reduction below 3/4 SM NA.			
AWOS-3 125.375	KNOXVILLE APP CON 123.9 353.6	CLNC DEL 121.7	UNICOM 123.075 (CTAF) 1



CATEGORY	A	B	C	D
S-26	1520-1 688 (700-1)		1520-2 688 (700-2)	NA
CIRCLING	1600-1 767 (800-1)	1720-1 1/4 887 (900-1 1/4)	1720-2 3/4 887 (900-2 3/4)	NA
WOGEL FIX MINIMUMS				
S-26	1440-1 608 (700-1)		1440-1 1/4 608 (700-1 1/4)	NA
CIRCLING	1600-1 767 (800-1)	1720-1 1/4 887 (900-1 1/4)	1720-2 3/4 887 (900-2 3/4)	NA



SE-1, 05 SEP 2024 to 03 OCT 2024

SE-1, 05 SEP 2024 to 03 OCT 2024