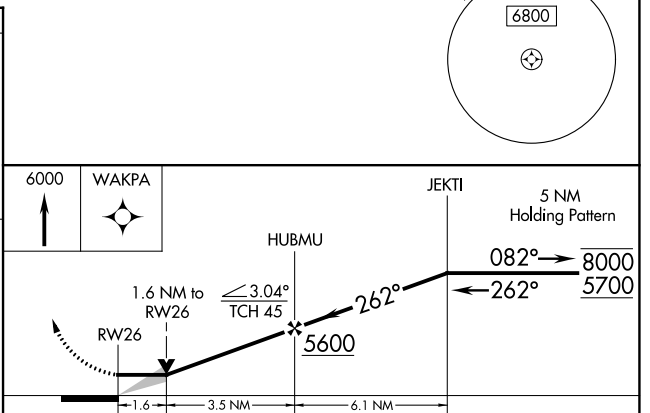
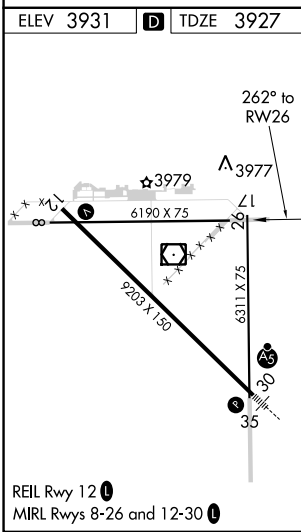
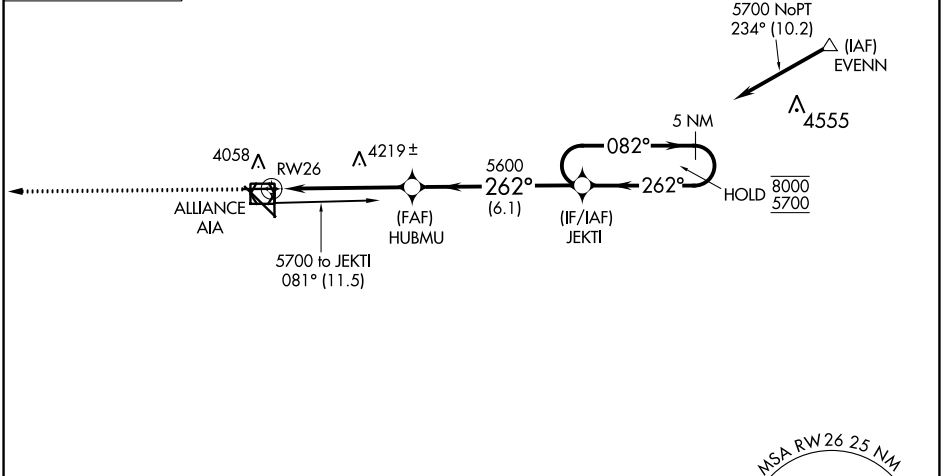
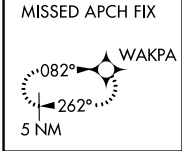


APP CRS	Rwy Idg	<b>6200</b>
<b>262°</b>	TDZE	<b>3927</b>
	Apt Elev	<b>3931</b>

# RNAV (GPS) RWY 26

ALLIANCE MUNI (AIA)

RNP APCH.		MISSED APPROACH: Climb to 6000 direct WAKPA and hold.
ASOS	DENVER CENTER	UNICOM
<b>135.075</b>	<b>127.95 338.2</b>	<b>123.0 (CTAF) 0</b>



CATEGORY	A	B	C	D
LNAV MDA	4480-1	553 (600-1)	4480-1 <sup>5</sup> / <sub>8</sub> 553 (600-1 <sup>5</sup> / <sub>8</sub> )	4480-1 <sup>3</sup> / <sub>4</sub> 553 (600-1 <sup>3</sup> / <sub>4</sub> )
CIRCLING	4480-1 549 (600-1)	4520-1 589 (600-1)	4580-1 <sup>3</sup> / <sub>4</sub> 649 (700-1 <sup>3</sup> / <sub>4</sub> )	4640-2 <sup>1</sup> / <sub>4</sub> 709 (800-2 <sup>1</sup> / <sub>4</sub> )

NC-2, 03 OCT 2024 to 31 OCT 2024

NC-2, 03 OCT 2024 to 31 OCT 2024