

WAAS CH 50209 W11A	APP CRS 109°	Rwy Idg TDZE Apt Elev	4300 736 737
--	------------------------	-----------------------------	---

RNAV (GPS) RWY 11

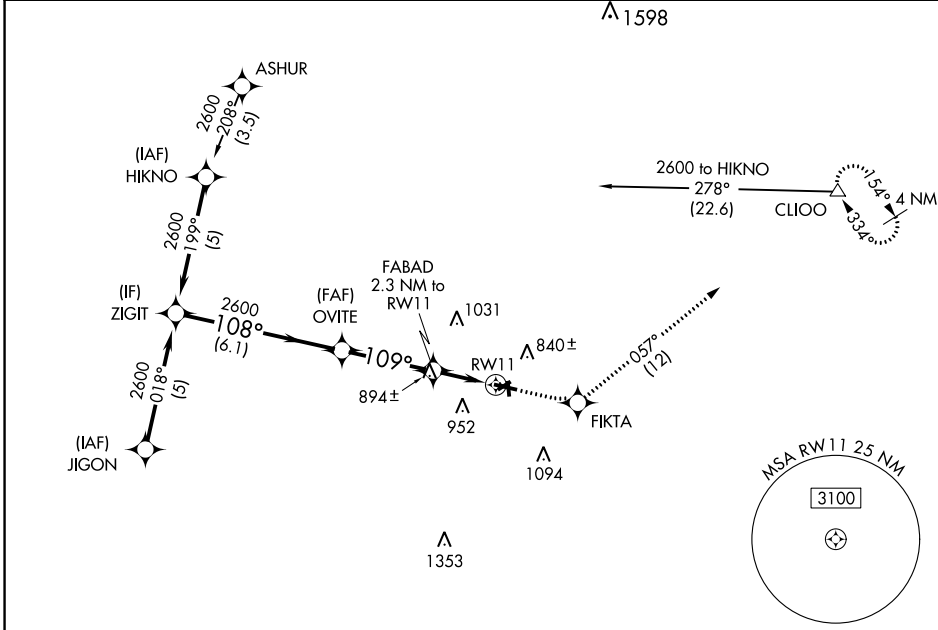
OWOSSO COMMUNITY (RNP)

RNP APCH.

▼ Circling NA to Rws 6, 18, 24, and 36. For uncompensated Baro-VNAV systems, LNAV/VNAV NA below -16°C (4°F) or above 54°C (130°F). Rwy 11 helicopter visibility reduction below ¾ SM NA.

MISSED APPROACH: Climb to 3000 direct FIKTA and on track 057° to CLIOO and hold.

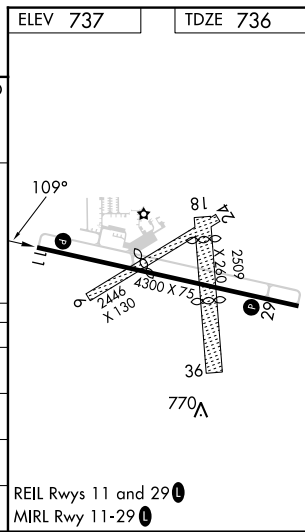
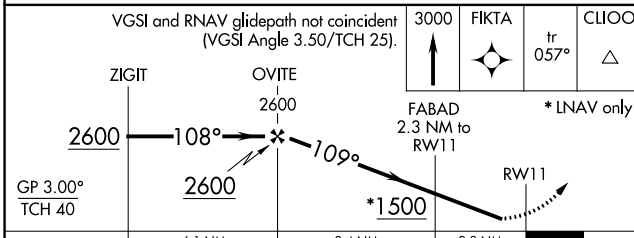
AWOS-3 118.025	GREAT LAKES APP CON * 128.55 257.9	UNICOM 123.0 (CTAF) 0
--------------------------	--	---------------------------------



EC-1, 03 OCT 2024 to 31 OCT 2024

EC-1, 03 OCT 2024 to 31 OCT 2024

ELEV 737	TDZE 736
----------	----------



CATEGORY	A	B	C	D
LPV DA	1079-1¼	343 (400-1¼)		NA
LNAV/VNAV DA	1258-2	522 (600-2)		NA
LNAV MDA	1180-1	444 (500-1)	1180-1¼ 444 (500-1¼)	NA
C CIRCLING	1220-1 483 (500-1)	1260-1 523 (600-1)	1400-1¾ 663 (700-1¾)	NA

REIL Rws 11 and 29 **0**
MIRL Rwy 11-29 **0**