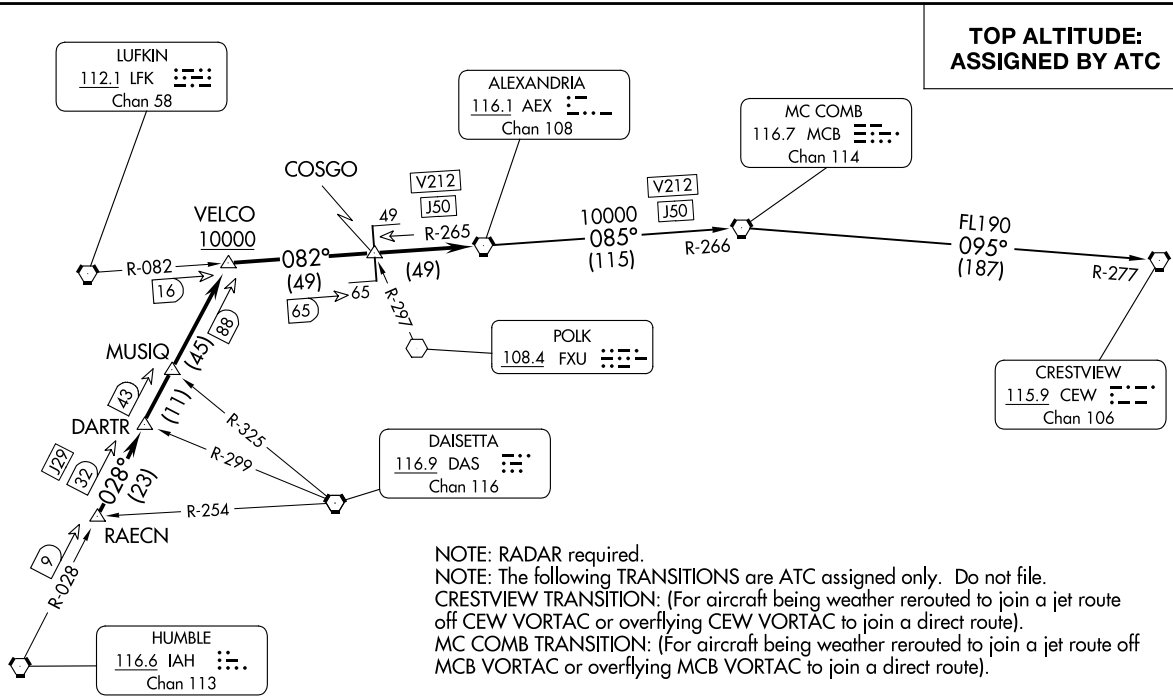


ALEXANDRIA THREE DEPARTURE
(AEX3.AEX) 07/OCT21

ATIS
135.575 269.9
GND CON
121.6 275.8
ELLINGTON TOWER
126.05 253.5
HOUSTON DEP CON
134.45 284.0



**TOP ALTITUDE:
ASSIGNED BY ATC**

NOTE: RADAR required.
 NOTE: The following TRANSITIONS are ATC assigned only. Do not file.
 CRESTVIEW TRANSITION: (For aircraft being weather rerouted to join a jet route off CEW VORTAC or overflying CEW VORTAC to join a direct route).
 MC COMB TRANSITION: (For aircraft being weather rerouted to join a jet route off MCB VORTAC or overflying MCB VORTAC to join a direct route).

TAKEOFF MINIMUMS
 Rwy 4, 17L/R, 35L/R: Standard.
 Rwy 22: 200-1/4 or standard with minimum climb of 214' per NM to 300, or alternatively, with standard takeoff minimums and a normal 200' per NM climb gradient, takeoff must occur no later than 1400' prior to DER.

(CONTINUED ON FOLLOWING PAGE)

NOTE: Chart not to scale.

(AEX3.AEX) 24137
ALEXANDRIA THREE DEPARTURE

AL-197 (FAA)

ELLINGTON (E,F,D)
HOUSTON, TEXAS

HOUSTON, TEXAS
ELLINGTON (E,F,D)

ALEXANDRIA THREE DEPARTURE



DEPARTURE ROUTE DESCRIPTION

TAKEOFF ALL RUNWAYS: Climb on assigned heading for RADAR vectors to RAECN INT. Maintain ATC assigned altitude. Expect filed altitude 10 minutes after departure, thence. . . .

. . . .on IAH R-028 to VELCO INT, cross VELCO INT at or above 10000, then right turn on LFK R-082 and AEX R-265 to AEX VORTAC.

CRESTVIEW TRANSITION (AEX3.CEW): From over AEX VORTAC on AEX R-085 and MCB R-266 to MCB VORTAC, then on MCB R-095 and CEW R-277 to CEW VORTAC.

MC COMB TRANSITION (AEX3.MCB): From over AEX VORTAC on AEX R-085 and MCB R-266 to MCB VORTAC.

SC-5, 31 OCT 2024 to 28 NOV 2024

SC-5, 31 OCT 2024 to 28 NOV 2024