

ALEXANDRIA THREE DEPARTURE  
(AEX3.AEX) 070CT21

HOUSTON, TEXAS  
WILLIAM P HOBBY (HOT)

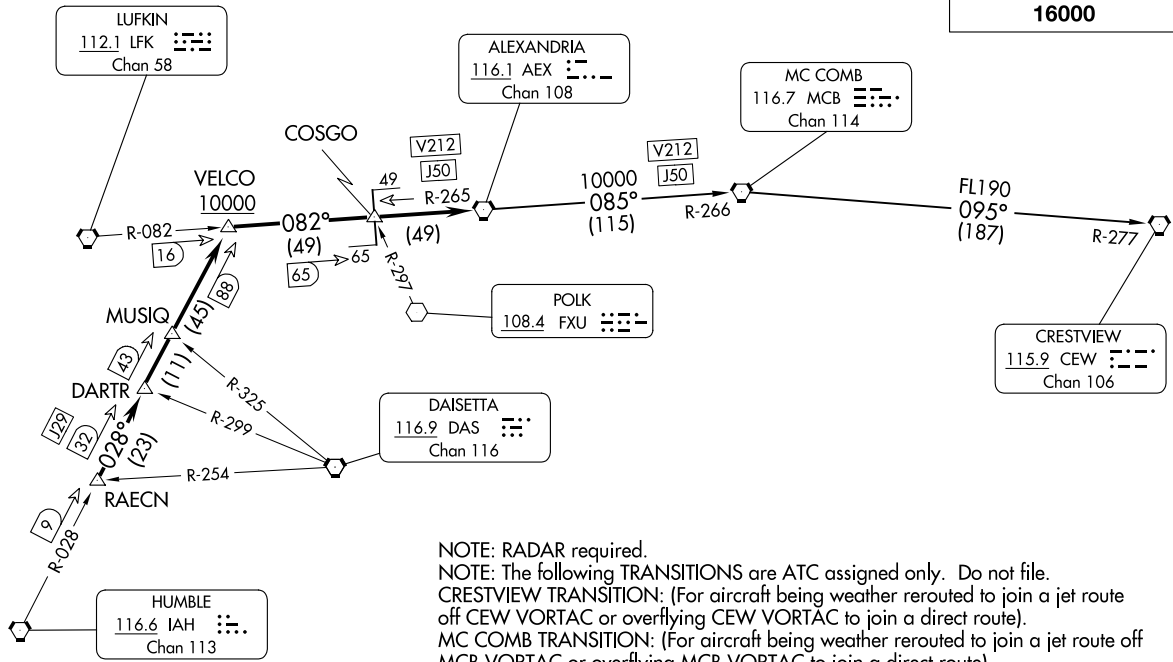
D-ATIS  
124.6  
CLNC DEL  
125.45  
CPDLC  
GND CON  
121.9  
HOBBY TOWER  
118.7 256.9  
HOUSTON DEP CON  
132.25 285.425

**TOP ALTITUDE:  
16000**

(AEX3.AEX) 24137  
ALEXANDRIA THREE DEPARTURE

AL-198 (FAA)

WILLIAM P HOBBY (HOT)  
HOUSTON, TEXAS



NOTE: RADAR required.  
 NOTE: The following TRANSITIONS are ATC assigned only. Do not file.  
 CRESTVIEW TRANSITION: (For aircraft being weather rerouted to join a jet route off CEW VORTAC or overflying CEW VORTAC to join a direct route).  
 MC COMB TRANSITION: (For aircraft being weather rerouted to join a jet route off MCB VORTAC or overflying MCB VORTAC to join a direct route).

**TAKEOFF MINIMUMS**  
 Rwy 4, 13L/R, 31L/R: Standard.  
 Rwy 22: Standard with minimum climb of 290' per NM to 1500.

NOTE: Chart not to scale.

(CONTINUED ON FOLLOWING PAGE)

# ALEXANDRIA THREE DEPARTURE



## DEPARTURE ROUTE DESCRIPTION

TAKEOFF RUNWAYS 4, 13L/R, 22: Climb on assigned heading for RADAR vectors to RAECN INT, maintain 16000. Expect filed altitude 10 minutes after departure, thence. . . .

TAKEOFF RUNWAYS 31L/R: Climb on heading 311° to 800 before turning, then climb on assigned heading for RADAR vectors to RAECN INT, maintain 16000. Expect filed altitude 10 minutes after departure, thence. . . .

. . . .on IAH R-028 to VELCO INT, cross VELCO INT at or above 10000, then right turn on LFK R-082 and AEX R-265 to AEX VORTAC.

CRESTVIEW TRANSITION (AEX3.CEW): From over AEX VORTAC on AEX R-085 and MCB R-266 to MCB VORTAC, then on MCB R-095 and CEW R-277 to CEW VORTAC.

MC COMB TRANSITION (AEX3.MCB): From over AEX VORTAC on AEX R-085 and MCB R-266 to MCB VORTAC.

SC-5, 31 OCT 2024 to 28 NOV 2024

SC-5, 31 OCT 2024 to 28 NOV 2024