

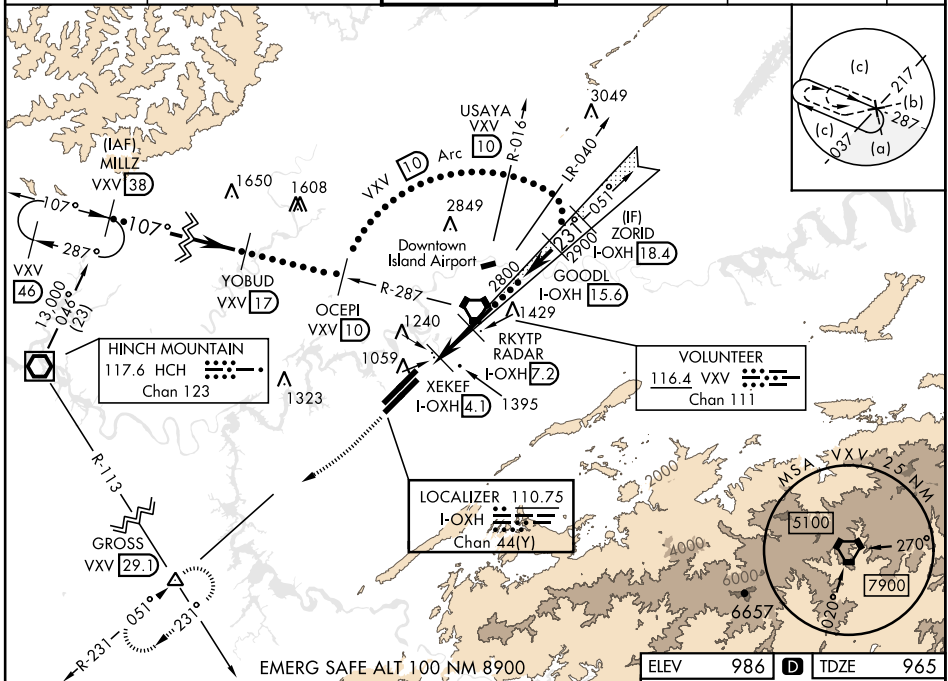
HI-ILS or LOC RWY 23L

LOC/DME I- OXH 110.75 Chan 44(Y)	APCH CRS 231°	Rwy ldg 8600 TDZE 965 Arpt Elev 986	[USAF]	MC GHEE TYSON (KTYS)
---	----------------------	--	--------	----------------------

DME or RADAR required.

MISSED APPROACH: Climb to 2000, then climbing right turn to 4000 on heading 240° VXV R-231 direct GROSS Int/29.1 DME and hold.

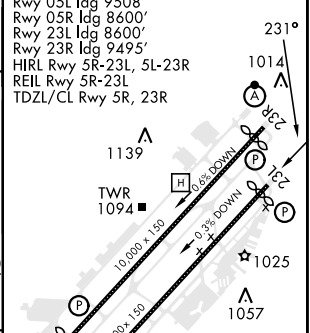
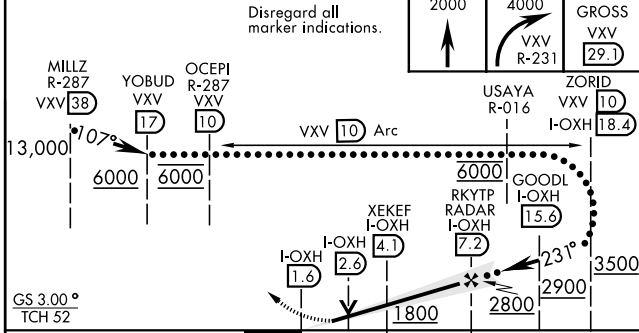
ATIS 128.35	KNOXVILLE APP CON 123.9 360.8	KNOXVILLE TOWER 121.2 257.8	GND CON 121.9 348.6	CLNC DEL 121.65	ASR
-----------------------	---	---------------------------------------	-------------------------------	---------------------------	-----



SE-1, 31 OCT 2024 to 28 NOV 2024

SE-1, 31 OCT 2024 to 28 NOV 2024

ELEV	986	TDZE	965
------	-----	------	-----



CATEGORY	C	D	E
S-ILS 23L	1165-40	200 (200-¾)	
S-LOC 23L	1320-55	355 (400-1¼)	
CIRCLING	1660-2 679 (700-2)	1900-3 919 (1000-3)	

HI-ILS or LOC RWY 23L