

(OAK6.OAK) 24249

# OAKLAND SIX DEPARTURE

SAN FRANCISCO BAY OAKLAND INTL (OAK)

AL-294 (FAA)

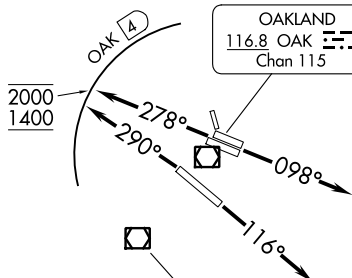
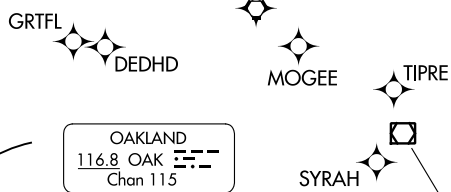
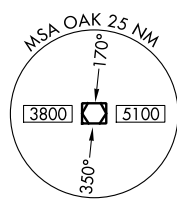
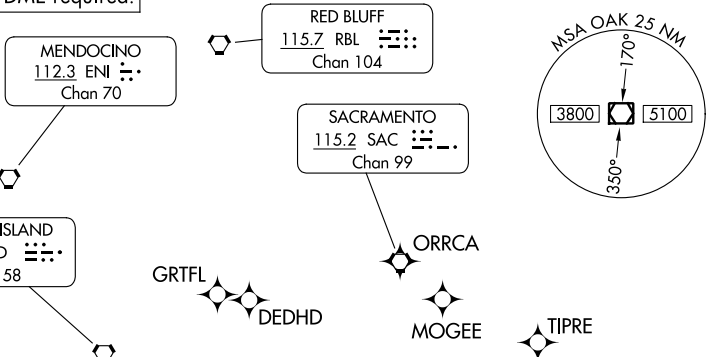
OAKLAND, CALIFORNIA

D-ATIS  
133.775  
CLNC DEL  
121.1  
CPDLC  
NORCAL DEP CON  
120.9 323.2

RNAV 1-GPS. From ALCOA, BEBOP, CINNY, CISKO, DEDHD, EBAYE, GRTFL, LOSHN, MOGEE, NTELL, ORRCA, SYRAH, or TIPRE.

RADAR and DME required.

**TOP ALTITUDE:  
ASSIGNED BY ATC**



ALCOA ▲

BEBOP ▲

CINNY ◆

SEGUL △

CYPRS △

PANOCHÉ  
112.6 PXN  
Chan 73

CISKO ◆

EBAYE ◆◆  
LOSHN ◆

AVENAL  
117.1 AVE  
Chan 118

FELLOWS  
117.5 FLW  
Chan 122

### TAKEOFF MINIMUMS

Rwys 15, 33: NA- ATC.

Rwy 10L: Standard with minimum climb of 340'/NM to 2300.

Rwy 10R: Standard with minimum climb of 330'/NM to 2300.

Rwy 12: Standard with minimum climb of 270'/NM to 1400.

Rwys 28L/R, 30: Standard with minimum climb of 375'/NM to 2000.

NOTE: Use the SILENT, HUSSH, or SUNNE DEPARTURE during the periods of 2200-0700 local in lieu of the OAKLAND DEPARTURE.

(CONTINUED ON FOLLOWING PAGE)

NOTE: Chart not to scale.

# OAKLAND SIX DEPARTURE

(OAK6.OAK) 25JAN24

OAKLAND, CALIFORNIA

SAN FRANCISCO BAY OAKLAND INTL (OAK)

SW-2, 31 OCT 2024 to 28 NOV 2024

SW-2, 31 OCT 2024 to 28 NOV 2024



DEPARTURE ROUTE DESCRIPTION

TAKEOFF RUNWAYS 10L/R: Climb on heading 098° for RADAR vectors to assigned route/fix, thence. . . .

TAKEOFF RUNWAY 12: Climb on heading 116° for RADAR vectors to assigned route/fix, thence. . . .

TAKEOFF RUNWAYS 28L/R: Climb on heading 278° for RADAR vectors to assigned route/fix. Cross 4 DME northwest of OAK VOR/DME at or above 1400 and at or below 2000, thence. . . .

TAKEOFF RUNWAY 30: Climb on heading 290° for RADAR vectors to assigned route/fix. Cross 4 DME northwest of OAK VOR/DME at or above 1400 and at or below 2000, thence. . . .

. . . .maintain ATC assigned altitude. Expect filed altitude ten minutes after departure.

LOST COMMUNICATIONS: If not in contact with departure control after reaching 5000', continue climb to assigned altitude and proceed direct to assigned route/fix.

SW-2, 31 OCT 2024 to 28 NOV 2024

SW-2, 31 OCT 2024 to 28 NOV 2024