

(SHA4.RDD) 23334

SHASTA FOUR DEPARTURE

AL-688 (FAA)

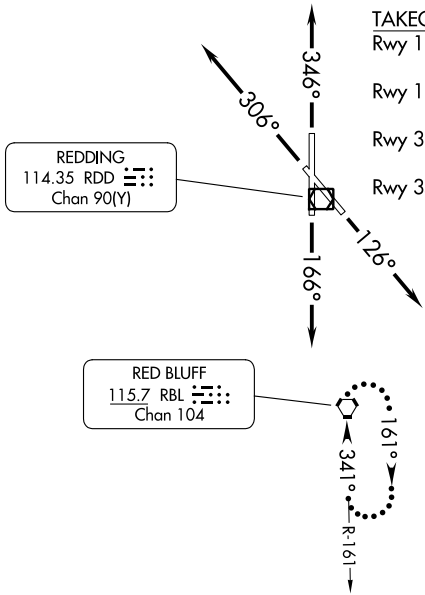
REDDING RGNL (R.DD)
REDDING, CALIFORNIA

OAKLAND CENTER
132.2 350.3
ATIS
124.1
GND CON
121.7
REDDING TOWER*
119.8 (CTAF) 269.25

**TOP ALTITUDE:
ASSIGNED BY ATC**

FORT JONES
116.25 FJS :---
Chan 109(Y)

KLAMATH FALLS
115.9 LMT :---
Chan 106



TAKEOFF MINIMUMS

- Rwy 12: Standard with a minimum climb of 375' per NM to 13900.
- Rwy 16: Standard with a minimum climb of 370' per NM to 13900.
- Rwy 30: Standard with a minimum climb of 460' per NM to 8400.
- Rwy 34: Standard with a minimum climb of 452' per NM to 8200.

REDDING
114.35 RDD :---
Chan 90(Y)

RED BLUFF
115.7 RBL :---
Chan 104

MUSTANG
117.9 FMG :---
Chan 126

DEPARTURE ROUTE DESCRIPTION

TAKEOFF RUNWAY 12: Climb heading 126° (or ATC assigned 344° CW 234°), thence . . .

TAKEOFF RUNWAY 16: Climb heading 166° (or ATC assigned 354° CW 234°), thence . . .

TAKEOFF RUNWAY 30: Climb heading 306° (or ATC assigned 134° CW 004°), thence . . .

TAKEOFF RUNWAY 34: Climb heading 346° (or ATC assigned 174° CW 004°), thence . . .

. . . expect vectors to join assigned route. Maintain ATC assigned altitude; expect filed altitude/flight level ten minutes after departing.

LOST COMMUNICATIONS: If no contact with Oakland Center after reaching 4000 proceed to RBL VORTAC and hold.

WILLIAMS
114.4 ILA :---
Chan 91

NOTE: RADAR required.
NOTE: Chart not to scale.

SHASTA FOUR DEPARTURE

(SHA4.RDD) 30JAN20

REDDING, CALIFORNIA
REDDING RGNL (R.DD)

SW-2, 31 OCT 2024 to 28 NOV 2024

SW-2, 31 OCT 2024 to 28 NOV 2024