

LOC/DME I-UDL <b>110.7</b> Chan 44	APP CRS <b>276°</b>	Rwy Idg TDZE Apt Elev <b>8394</b> <b>7</b> <b>65</b>
--	------------------------	---

# ILS or LOC RWY 28R

FORT LAUDERDALE/HOLLYWOOD INTL (FLL)

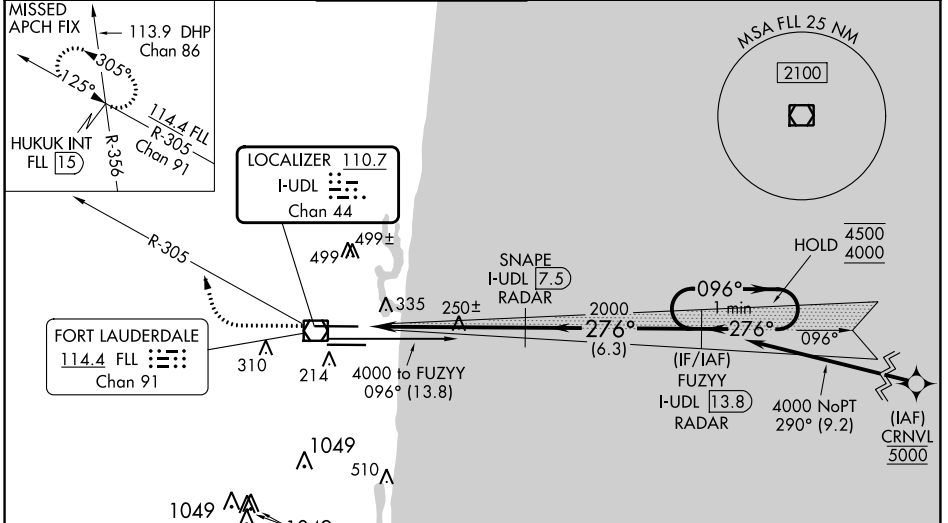
DME or RADAR required. RNP APCH - GPS from CRNVL.

**⚠** Simultaneous approach authorized. Inop table does not apply to S-ILS 28R. For inop ALS, increase S-LOC 28R Cats C and D visibility to 1 3/8 SM.

**MALS**  
A5

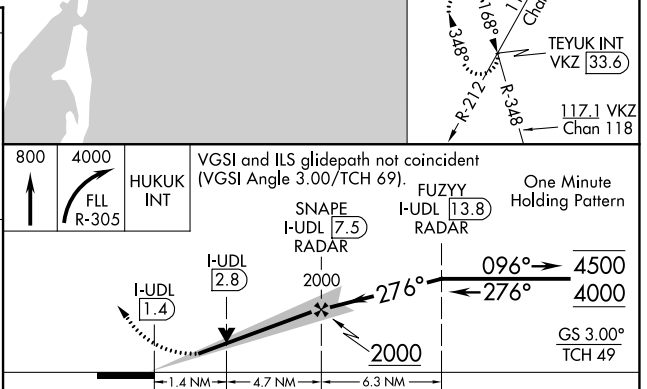
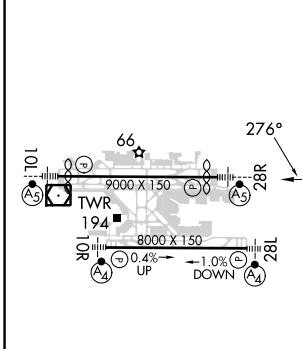
**MISSED APPROACH:** Climb to 800 then climbing right turn to 4000 on FLL VOR/DME R-305 to HUKUK INT/FLL 15 DME and hold, continue climb-in-hold to 4000.

D-ATIS <b>135.0</b>	MIAMI APP CON <b>133.775 285.6</b>	FORT LAUDERDALE TOWER <b>119.3 257.8</b>	GND CON <b>121.4</b>	CLNC DEL <b>128.4</b>	CPDLC
------------------------	---------------------------------------	---	-------------------------	--------------------------	-------



Procedure NA for arrival on FLL VOR/DME airway radials 046 CW 121.

ELEV 65	<b>D</b>	TDZE 7
---------	----------	--------



CATEGORY	A	B	C	D
S-ILS 28R	257/40		250 (200-3/4)	
S-LOC 28R	520/24	513 (500-1/2)	520/55	513 (500-1)
<b>CIRCLING</b>	680-1	615 (700-1)	800-2 735 (800-2)	800-2 1/4 735 (800-2 1/4)

SE-3, 31 OCT 2024 to 28 NOV 2024

SE-3, 31 OCT 2024 to 28 NOV 2024