

WAAS CH <b>73027</b> <b>W36A</b>	APP CRS <b>359°</b>	Rwy Idg <b>5210</b> TDZE <b>74</b> Apt Elev <b>75</b>
--	------------------------	---

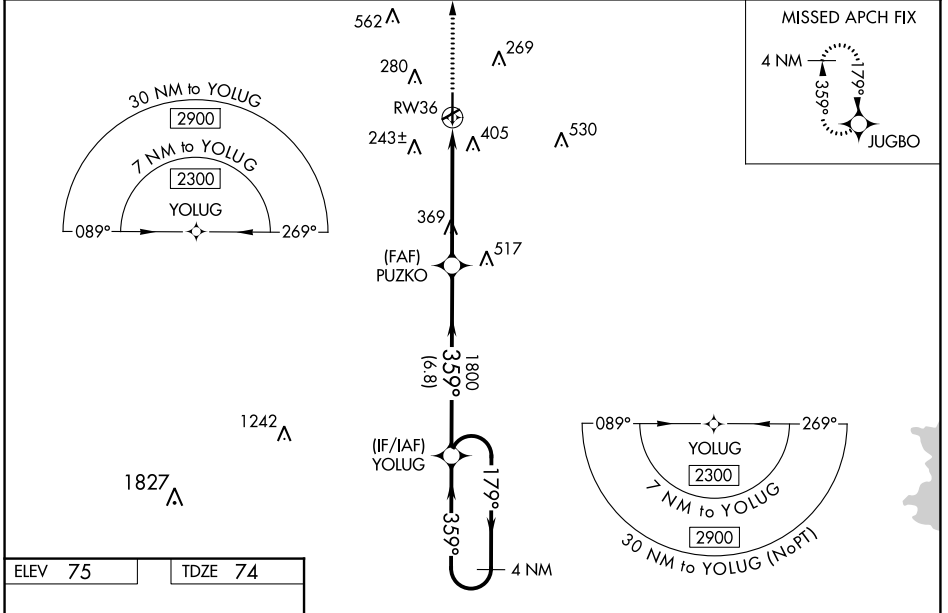
# RNAV (GPS) RWY 36

ST LANDRY PARISH (OPL)

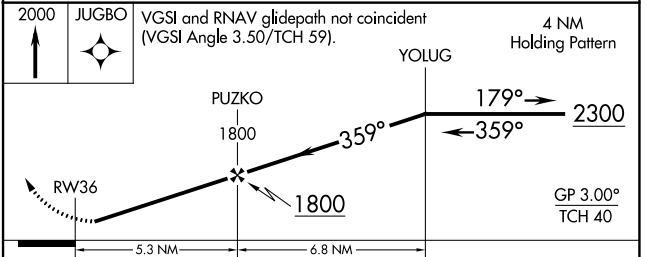
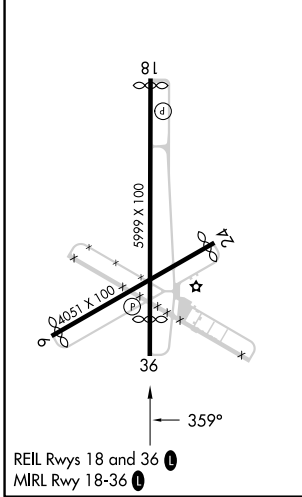
**⚠** Baro-VNAV NA when using Lafayette altimeter setting. For uncompensated Baro-VNAV systems, LNAV/VNAV NA below -15°C (5°F) or above 43°C (109°F). When VGSI inop, Straight-in/Circling Rwy 36 procedure NA at night. DME/DME RNP-0,3 NA. Visibility reduction by helicopters NA. Circling to Rwy 6/24 NA at night. When local altimeter setting not received, use Lafayette altimeter setting: Increase LPV DA to 407 feet, LNAV/VNAV DA to 749 feet, and visibility LPV all Cats ½ SM and LNAV/VNAV all Cats ¼ SM; increase all MDA 60 feet and visibility LNAV Cats C and D ¼ SM and Circling Cat C and D ¼ SM.

**MISSED APPROACH:** Climb to 2000 direct JUGBO and hold.

AWOS-3PT <b>118.775</b>	LAFAYETTE APP CON* <b>128.7 268.7</b>	UNICOM <b>123.0 (CTAF) 0</b>
----------------------------	--	---------------------------------



ELEV 75	TDZE 74
---------	---------



CATEGORY	A	B	C	D
LPV DA	351-1 277 (300-1)			
LNAV/VNAV DA	693-2¼ 619 (700-2¼)			
LNAV MDA	620-1	546 (600-1)	620-1½	546 (600-1½)
CIRCLING	780-1	705 (800-1)	780-2 705 (800-2)	920-2¾ 845 (900-2¾)

SC-4, 31 OCT 2024 to 28 NOV 2024

SC-4, 31 OCT 2024 to 28 NOV 2024