

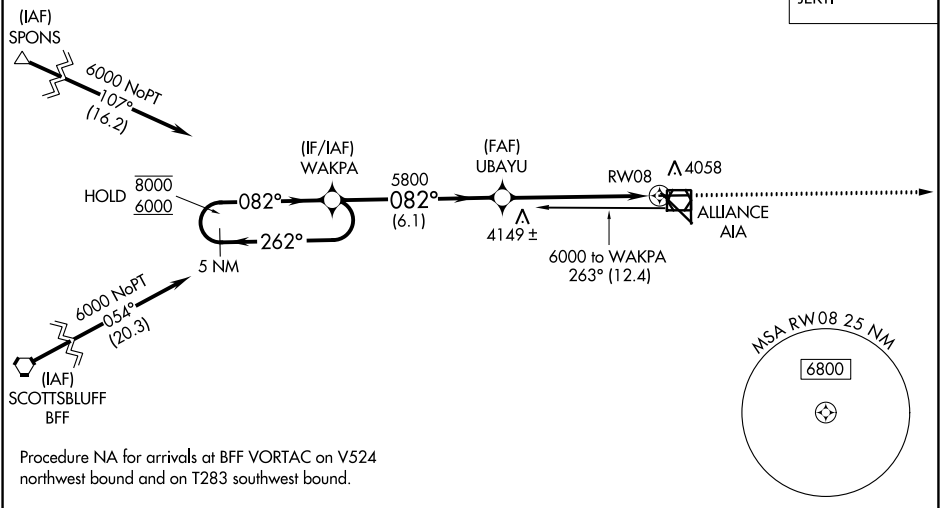
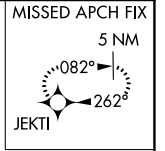
APP CRS	Rwy Idg	<b>6190</b>
<b>082°</b>	TDZE	<b>3931</b>
	Apt Elev	<b>3931</b>

# RNAV (GPS) RWY 8

ALLIANCE MUNI (AIA)

RNP APCH.		MISSED APPROACH: Climb to 5700 direct JEKTI and hold.
-----------	--	---

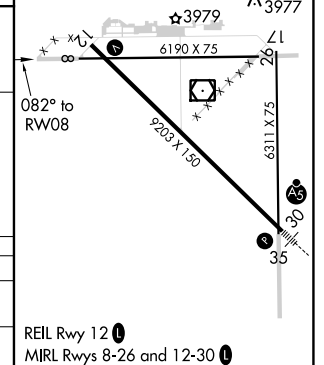
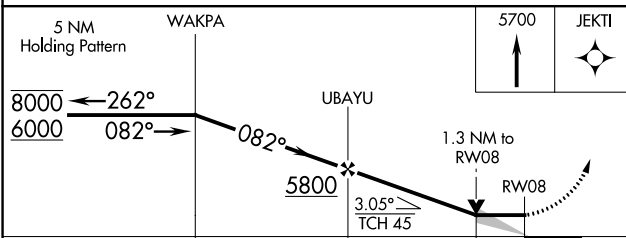
ASOS <b>135.075</b>	DENVER CENTER <b>127.95 338.2</b>	UNICOM <b>123.0 (CTAF) 1</b>
------------------------	--------------------------------------	---------------------------------



NC-2, 28 NOV 2024 to 26 DEC 2024

NC-2, 28 NOV 2024 to 26 DEC 2024

ELEV 3931	<b>D</b> TDZE 3931
-----------	--------------------



CATEGORY	A	B	C	D
LNVA MDA	4400-1	469 (500-1)	4400-1 $\frac{3}{8}$ 469 (500-1 $\frac{3}{8}$ )	4400-1 $\frac{1}{2}$ 469 (500-1 $\frac{1}{2}$ )
CIRCLING	4460-1 529 (600-1)	4520-1 589 (600-1)	4580-1 $\frac{3}{4}$ 649 (700-1 $\frac{3}{4}$ )	4640-2 $\frac{1}{4}$ 709 (800-2 $\frac{1}{4}$ )