

APP CRS	Rwy ldg	8500
275°	TDZE	990
	Apt Elev	1026

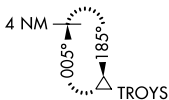
RNAV (RNP) Z RWY 26R
HARTSFIELD/JACKSON ATLANTA INTL (ATL)

For uncompensated Baro-VNAV systems, procedure NA below -8°C (18°F) or above 54°C (130°F). GPS required. Simultaneous approach authorized. Arrival from BROOX NA during simultaneous triple approaches.

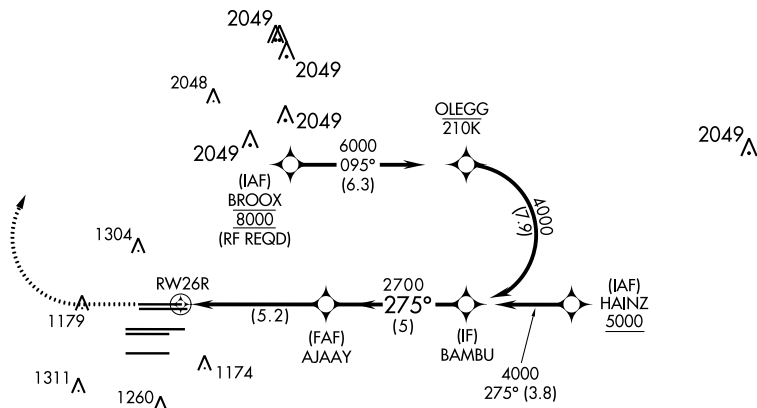


MISSED APPROACH: Climb to 1500 then climbing right turn to 3500 direct TROYS and hold.

D-ATIS	ATLANTA APP CON	ATLANTA TOWER					ALL RWYS	GND CON			ALL RWYS
ARR 119.65		8L-26R	8R-26L	9L-27R	9R-27L	10-28		(8L-26R,8R-26L)	(9L-27R,9R-27L)	10-28	
DEP 125.55	127.9 379.9	119.1	125.325	123.85	119.3	119.5	254.4	121.9	121.75	121.65	254.4



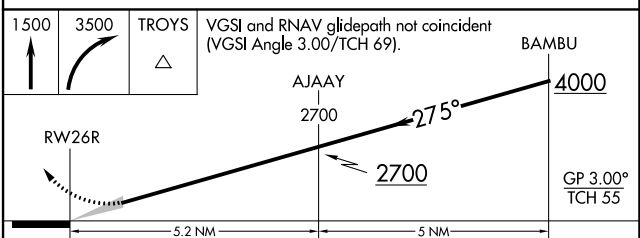
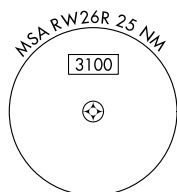
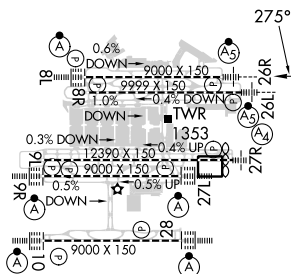
CLNC DEL	CPDLC
118.1	



SE-4, 28 NOV 2024 to 26 DEC 2024

SE-4, 28 NOV 2024 to 26 DEC 2024

ELEV 1026	D	TDZE 990
-----------	----------	----------



CATEGORY	A	B	C	D
RNP 0.30 DA	1402/45		412 (400-1)	

HIRL all Rwy's
TDZ/ CL Rwy's 8L, 9R,
10, 26R, 27L and 28

AUTHORIZATION REQUIRED