

24025

# MIDWAY SEVEN DEPARTURE

AL-81 (FAA)

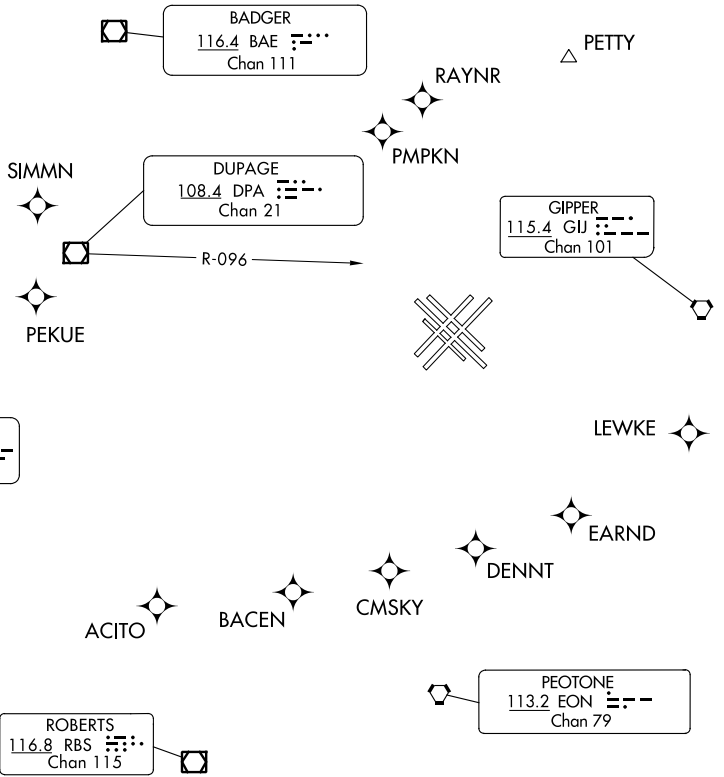
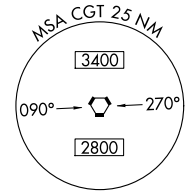
CHICAGO MIDWAY INTL (MDW)  
CHICAGO, ILLINOIS

D-ATIS 132.75  
CLNC DEL  
124.625  
CPDLC  
GND CON  
118.075  
MIDWAY TOWER  
135.2 269.125  
CHICAGO DEP CON  
128.2 353.875

RNAV 1 - GPS from ACITO, BACEN, CMSKY,  
DENNT, EARND, LEWKE, PEKUE, PMPKN, RAYNR.

RADAR required.

**TOP ALTITUDE:  
3000**



NOTE: All Turbo-Jet departures, in all directions, accelerate to 250K immediately upon entering or outside the lateral confines of ORD Class B airspace, then maintain 250K until advised by ATC.

**TAKEOFF MINIMUMS:**

Rwy 4L/R, 13L/C, 22L/R, 31C/R: Standard.

NOTE: Chart not to scale.

## DEPARTURE ROUTE DESCRIPTION

**ALL AIRCRAFT:**

**TAKEOFF RUNWAYS 4L/R, 13L/C, 22L/R, 31C/R:** Climb on assigned heading for RADAR vectors to filed/assigned route or depicted fix. Maintain 3000, expect filed altitude ten minutes after departure.

**ALL AIRCRAFT:** Complete initially assigned turn within 4 NM of KMDW airport.

# MIDWAY SEVEN DEPARTURE

30NOV23

CHICAGO, ILLINOIS  
CHICAGO MIDWAY INTL (MDW)

EC-3, 28 NOV 2024 to 26 DEC 2024

EC-3, 28 NOV 2024 to 26 DEC 2024