

RADAR and DME required.

**TOP ALTITUDE:
ASSIGNED BY ATC**

(PSX3.PSX) 24137
PALACIOS THREE DEPARTURE

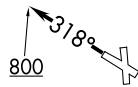
AL-164 (FAA)

SCHOLES INTL AT GALVESTON (G1.S)
GALVESTON, TEXAS

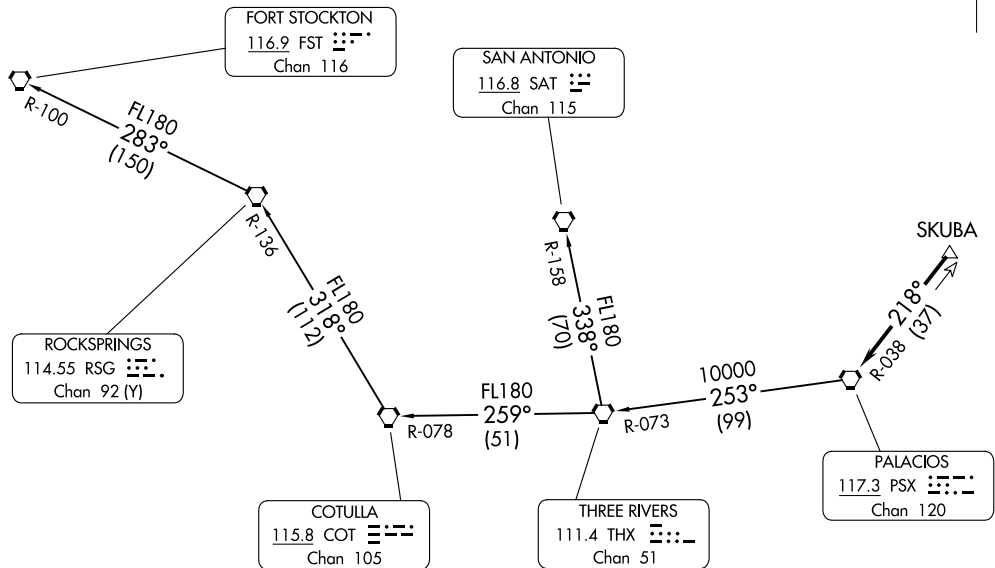
ASOS
123.95
CLNC DEL (When twr closed)
135.35
GND CON
118.625
GALVESTON TOWER ★
120.575 (CTAF)
HOUSTON DEP CON
134.45 284.0

PALACIOS THREE DEPARTURE
(PSX3.PSX) 03NOV22

SCHOLES INTL AT GALVESTON (G1.S)
GALVESTON, TEXAS



TAKEOFF MINIMUMS
Rwys 14, 18, 32, 36: Standard.



NOTE: Chart not to scale.

(CONTINUED ON FOLLOWING PAGE)



DEPARTURE ROUTE DESCRIPTION

TAKEOFF RUNWAYS 14, 18, 36: When entering controlled airspace, climb on assigned heading for RADAR vectors to SKUBA. Maintain ATC assigned altitude. Expect filed altitude 10 minutes after departure, thence. . . .

TAKEOFF RUNWAY 32: Climb on heading 318° to 800 before turning. When entering controlled airspace, climb on assigned heading for RADAR vectors to SKUBA. Maintain ATC assigned altitude. Expect filed altitude 10 minutes after departure, thence. . . .

. . . .on PSX R-038 to PSX VORTAC.

FORT STOCKTON TRANSITION (PSX3.FST): From over PSX VORTAC on PSX R-253 and THX R-073 to THX VORTAC, then on THX R-259 and COT R-078 to COT VORTAC, then on COT R-318 and RSG R-136 to RSG VORTAC, then on RSG R-283 and FST R-100 to FST VORTAC.

SAN ANTONIO TRANSITION (PSX3.SAT): From over PSX VORTAC on PSX R-253 and THX R-073 to THX VORTAC, then on SAT R-158 to SAT VORTAC.

SC-5, 28 NOV 2024 to 26 DEC 2024

SC-5, 28 NOV 2024 to 26 DEC 2024