

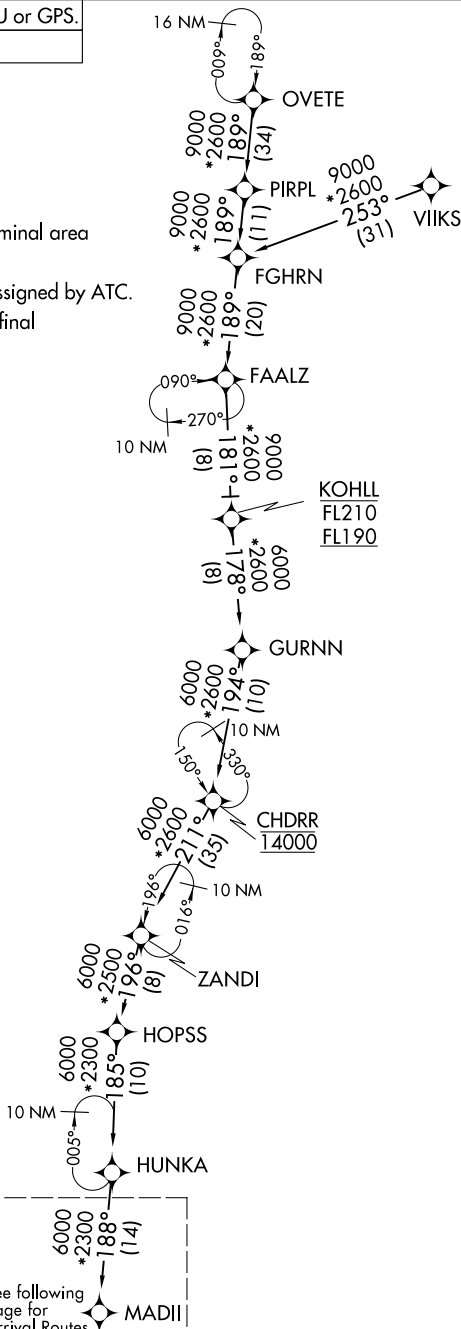
# MADII SEVEN ARRIVAL (RNAV) Transition Routes

CHICAGO APP CON  
119.0 292.125  
D-ATIS  
135.4 282.225

RNAV 1 - DME/DME/IRU or GPS.  
RADAR required.

NOTE: ZANDI Enroute transition: For Milwaukee terminal area departures only.  
NOTE: VIIKS Enroute transition: Do not file - to be assigned by ATC.  
NOTE: ORD landing east: Expect RADAR vectors to final approach course after MADII.

- CHDRR TRANSITION (CHDRR.MADII7):
- FAALZ TRANSITION (FAALZ.MADII7):
- FGHRN TRANSITION (FGHRN.MADII7):
- KOHLL TRANSITION (KOHLL.MADII7):
- OVETE TRANSITION (OVETE.MADII7):
- PIRPL TRANSITION (PIRPL.MADII7):
- VIIKS TRANSITION (VIIKS.MADII7):
- ZANDI TRANSITION (ZANDI.MADII7):



(CONTINUED ON FOLLOWING PAGE)

NOTE: Chart not to scale.

See following page for Arrival Routes.

EC-3, 28 NOV 2024 to 26 DEC 2024

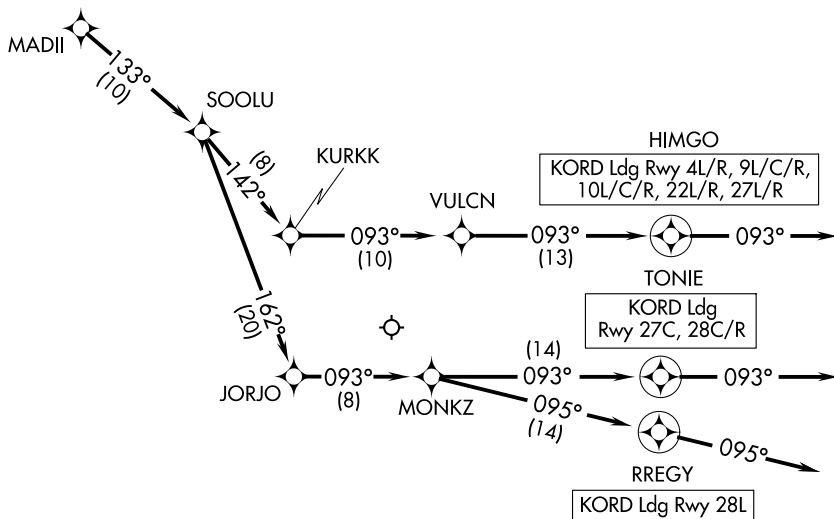
EC-3, 28 NOV 2024 to 26 DEC 2024

# MADII SEVEN ARRIVAL (RNAV) Arrival Routes

CHICAGO O'HARE INTL (ORD)  
CHICAGO, ILLINOIS

RNAV 1 - DME/DME/IRU or GPS.  
RADAR required.

CHICAGO APP CON  
119.0 292.125  
D-ATIS  
135.4 282.225



EC-3, 28 NOV 2024 to 26 DEC 2024

EC-3, 28 NOV 2024 to 26 DEC 2024

NOTE: Chart not to scale.

## ARRIVAL ROUTE DESCRIPTION

From MADII on track 133° to SOOLU.

LANDING RUNWAY 4L/R, 9L/C/R, 10L/C/R, 22L/R, 27L/R: From SOOLU on track 142° to KURKK, then on track 093° to VULCN, then on track 093° to HIMGO, then on track 093°. Expect RADAR vectors to final approach course.

LANDING RUNWAY 27C, 28C/R: From SOOLU on track 162° to JORJO, then on track 093° to MONKZ, then on track 093° to TONIE, then on track 093°. Expect RADAR vectors to final approach course.

LANDING RUNWAY 28L: From SOOLU on track 162° to JORJO, then on track 093° to MONKZ, then on track 095° to RREGY, then on track 095°. Expect RADAR vectors to final approach course.