

|  |                        |  |
|--|------------------------|--|
| WAAS<br>CH <b>81934</b><br><b>W10B</b> | APP CRS<br><b>093°</b> | Rwy Idg <b>10540</b><br>TDZE <b>669</b><br>Apt Elev <b>680</b> |
|--|------------------------|--|

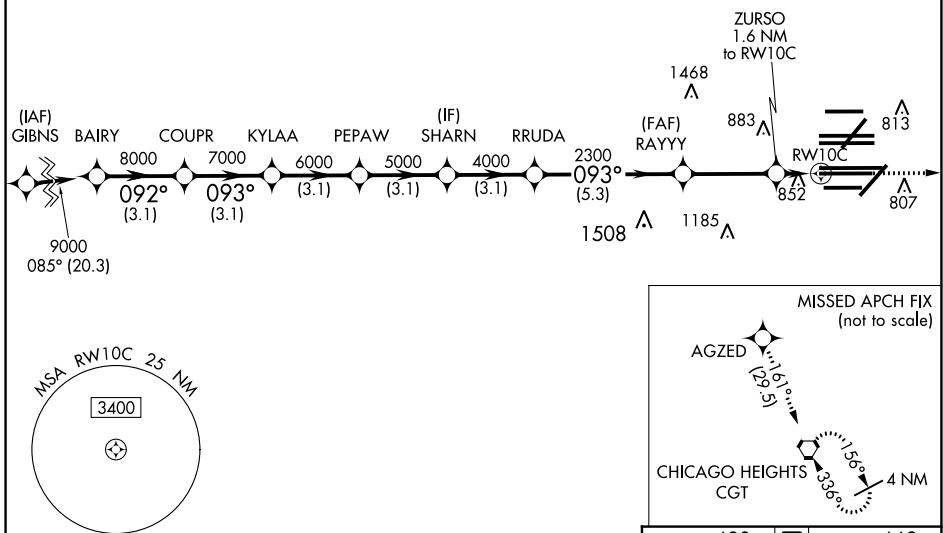
# RNAV (GPS) RWY 10C

CHICAGO O'HARE INTL (ORD)

|   |            |  |
|---|------------|--|
| RNP APCH - GPS.   | ALSF-2<br> | MISSED APPROACH:<br>Climb to 4000 direct AGZED and on track 161° to CGT VORTAC and hold. |
| <p>Simultaneous approach authorized. For uncompensated Baro-VNAV systems, LNAV/VNAV NA below -19°C or above 54°C. LNAV procedure NA during simultaneous operations. Use of FD or AP required during simultaneous operations. Rwy 10C helicopter visibility reduction below RVR 4000 NA.</p> |            |  |

|  |   |                                     |   |  |                          |       |
|--|---|-------------------------------------|---|--|--------------------------|-------|
| D-ATIS<br><b>135.4</b><br><b>282.225</b> | CHICAGO APP CON<br><b>119.0 292.125</b> | O'HARE TOWER<br><b>120.75 348.0</b> | GND CON (TWR NORTH)<br><b>124.125</b><br>(TWR SOUTH)<br><b>118.05</b><br>(ALL TWRs)<br><b>226.675</b> | (TWR CENTER) (OBND)<br><b>121.75</b><br>(IBND)<br><b>121.9</b> | CLNC DEL<br><b>121.6</b> | CPDLC |
|--|---|-------------------------------------|---|--|--------------------------|-------|

## RADAR REQUIRED



EC-3, 28 NOV 2024 to 26 DEC 2024

EC-3, 28 NOV 2024 to 26 DEC 2024

|  |         |        |             |        |             |         |             |         |
|--|---------|--------|-------------|--------|-------------|---------|-------------|---------|
| VGSI and RNAV glidepath not coincident (VGSI Angle 3.00/TCH 75). |         | 4000   | AGZED       | 161°   | CGT         |         |             |         |
| BAIRY  | COUPR   | KYLAA  | PEPAW       | SHARN  | RRUDA       | RAYYY   | ZURSO       | RWY 10C |
| 9000   | 8000    | 7000   | 6000        | 5000   | 4000        | 2300    | 1220        |         |
| GP 3.00° TCH 55  |         |        |             |        |             |         |             |         |
|  | 3.1 NM  | 3.1 NM | 3.1 NM      | 3.1 NM | 3.1 NM      | -5.3 NM | -3.4 NM     | 1.6 NM  |
| CATEGORY   | A       |        | B           |        | C           |         | D           |         |
| LPV DA   |         |        | 869/18      |        | 200 (200-½) |         |             |         |
| LNAV/VNAV DA   |         |        | 1062/40     |        | 393 (400-¾) |         |             |         |
| LNAV MDA   | 1120/24 |        | 451 (500-½) |        | 1120/45     |         | 451 (500-¾) |         |

