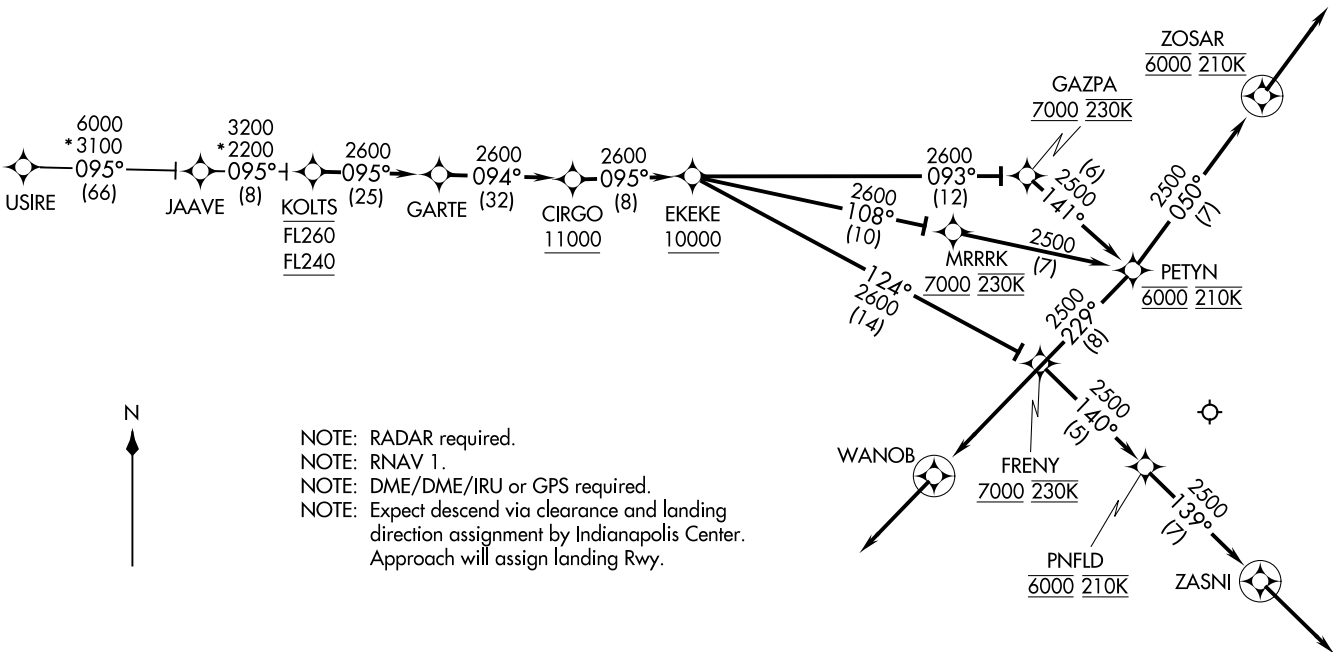


KOLTS TWO ARRIVAL (RNAV)
(KOLTS, KOLTS2) 10 NOV 16

INDIANAPOLIS, INDIANA
INDIANAPOLIS INTL (IND)

INDIANAPOLIS APP CON
128.175 317.8
D-ATIS
134.25



NOTE: RADAR required.
NOTE: RNAV 1.
NOTE: DME/DME/IRU or GPS required.
NOTE: Expect descend via clearance and landing direction assignment by Indianapolis Center.
Approach will assign landing Rwy.

(NARRATIVE ON FOLLOWING PAGE)

NOTE: Chart not to scale.

(KOLTS, KOLTS2) 17173
KOLTS TWO ARRIVAL (RNAV)

AL-203 (FAA)

INDIANAPOLIS INTL (IND)
INDIANAPOLIS, INDIANA

ARRIVAL ROUTE DESCRIPTION

JAAVE TRANSITION (JAAVE.KOLTS2):

USIRE TRANSITION (USIRE.KOLTS2):

From KOLTS on track 095° to GARTE, then on track 094° to cross CIRGO at or above 11000, then on track 095° to cross EKEKE at or above 10000.

LANDING RWYS 5L/R: From EKEKE on track 093° to cross GAZPA at or above 7000 and at 230K, then on track 141° to cross PETYN at 6000 and at 210K, then on track 229° to WANOB, then on track 229°. Expect RADAR vectors to final approach course.

LANDING RWYS 23L/R: From EKEKE on track 108° to cross MRRRK at or above 7000 and at 230K, then on track 108° to cross PETYN at 6000 and at 210K, then on track 050° to cross ZOSAR at 6000 and at 210K, then on track 050°. Expect RADAR vectors to final approach course.

LANDING RWY 32: From EKEKE on track 124° to cross FRENY at or above 7000 and at 230K, then on track 140° to cross PNFLD at 6000 and at 210K, then on track 139° to ZASNI, then on track 139°. Expect RADAR vectors to final approach course.

LOST COMMUNICATIONS: In the event of lost communication prior to runway assignment, execute ILS or LOC Rwy 23R approach.

EC-2, 28 NOV 2024 to 26 DEC 2024

EC-2, 28 NOV 2024 to 26 DEC 2024