

LOC/DME I-MAC 111.9 Chan 56	APP CRS 105°	Rwy Idg 4184 TDZE 430 Apt Elev 437
---	------------------------	---

LOC RWY 10

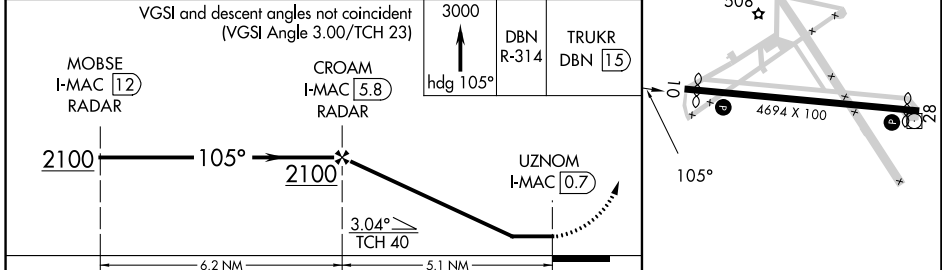
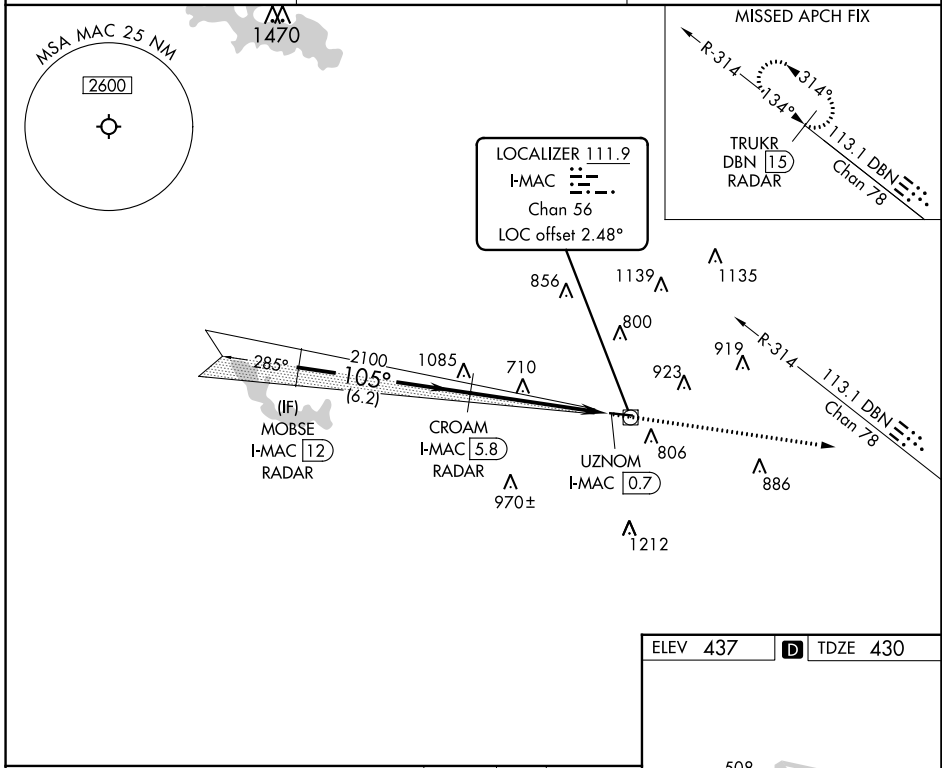
MACON DOWNTOWN (MAC)

RADAR required for procedure entry. DME or RADAR required.

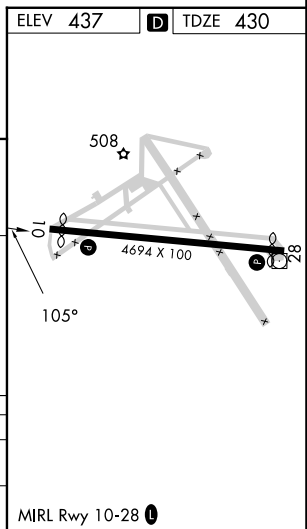
NA Rwy 10 helicopter visibility reduction below 3/4 SM NA. Use Middle Georgia Rgnl altimeter setting; when not received, use Robins AFB altimeter setting and increase all MDA 20 feet and S-LOC 10 visibility Cat C/D 1/2 SM.

MISSED APPROACH: Climb to 3000 on heading 105° and DBN VORTAC R-314 to TRUKR/DBN VORTAC 15 DME/ RADAR and hold.

MCN ASOS 120.775	ATLANTA APP CON ★ 124.2 279.6	UNICOM 123.0 (CTAF) 0
----------------------------	---	---------------------------------



CATEGORY	A	B	C	D
S-10	1060-1	630 (700-1)	1060-1 3/4	630 (700-1 3/4)
C CIRCLING	1200-1	763 (800-1)	1320-2 3/4 883 (900-2 3/4)	1480-3 1043 (1100-3)



SE-4, 28 NOV 2024 to 26 DEC 2024

SE-4, 28 NOV 2024 to 26 DEC 2024