


LOC I-EXW <b>108.3</b>	APP CRS <b>259°</b>	Rwy Idg <b>7815</b> TDZE <b>548</b> Apt Elev <b>565</b>
---------------------------	------------------------	--

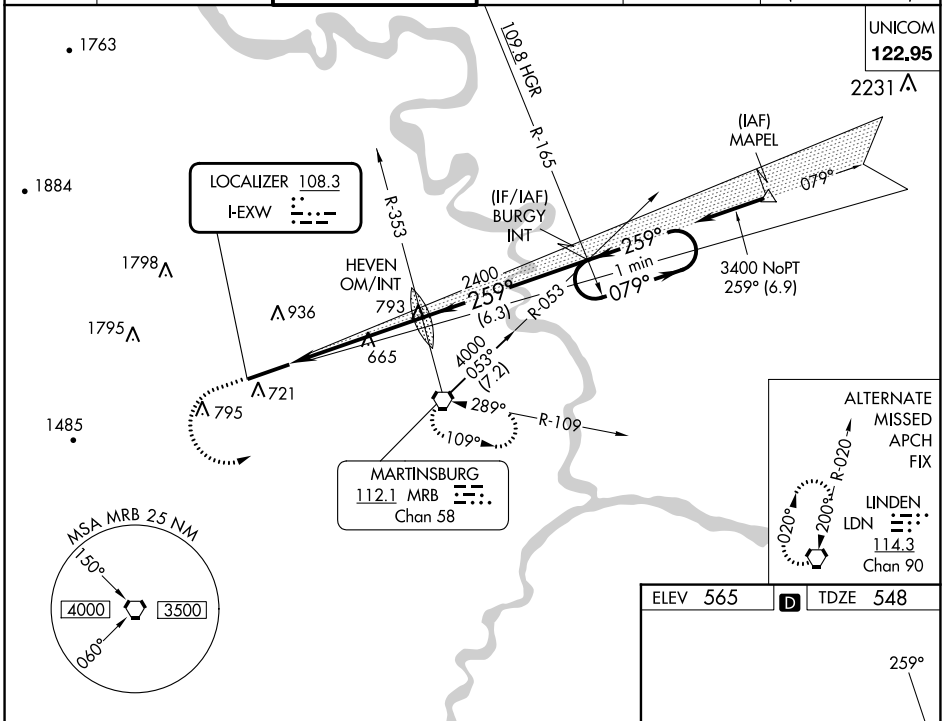
# ILS or LOC RWY 26

EASTERN WV RGNL/SHEPHERD FLD (MRB)

**⚠** For inoperative MALS/R, increase S-ILS 26 Cat E visibility to ¾ mile and S-LOC 26 Cat E visibility to 1¼ mile. When local altimeter setting not received, use Hagerstown altimeter setting and increase all DA 70 feet and all MDA 80 feet; increase S-LOC 26 Cat C, D, E and Circling Cat C and D visibility ¼ mile. For inoperative MALS/R when using Hagerstown altimeter setting increase S-ILS 26 visibility all Cats to 1 mile and S-LOC 26 Cat E visibility to 1½ mile.

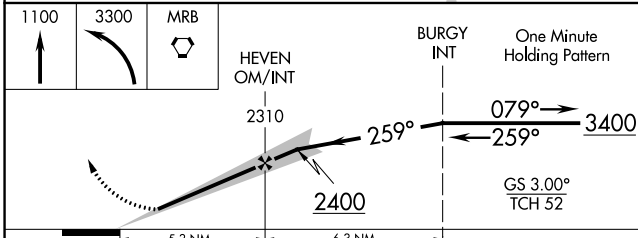
**MALS/R**  
  
**MISSED APPROACH:** Climb to 1100 then climbing left turn to 3300 direct MRB VORTAC and hold, continue climb-in-hold to 3300.

ASOS <b>119.925</b>	POTOMAC APP CON <b>126.825 239.025</b>	MARTINSBURG TOWER * <b>124.3</b> (CTAF) <b>233.7</b>	GND CON <b>121.8 257.65</b>	CLNC DEL <b>121.8 257.65</b>	CLNC DEL <b>132.075 269.075</b> (When twr closed)
------------------------	---	---	--------------------------------	---------------------------------	---

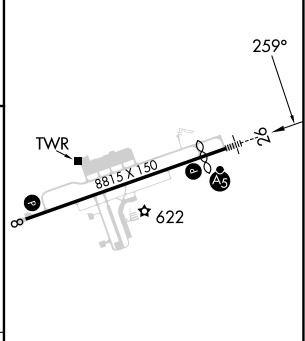


NE-4, 28 NOV 2024 to 26 DEC 2024

NE-4, 28 NOV 2024 to 26 DEC 2024



ELEV 565	<b>D</b> TDZE 548
----------	-------------------



CATEGORY	A	B	C	D	E
S-ILS 26	748-½ 200 (200-½)				
S-LOC 26	920-½ 372 (400-½)		920-¾ 372 (400-¾)		
<b>C</b> CIRCLING	1100-1 535 (600-1)	1240-1 675 (700-1)	1240-2 675 (700-2)	1260-2¼ 695 (700-2¼)	2140-3 1575 (1600-3)

REIL Rwy 8 <b>1</b>	HIRL Rwy 8-26 <b>1</b>
FAF to MAP 5.3 NM	
Knots	60 90 120 150 180
Min:Sec	5:18 3:32 2:39 2:07 1:46

# ILS or LOC RWY 26