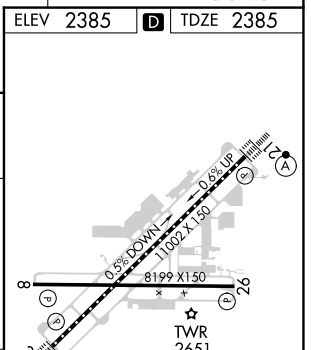
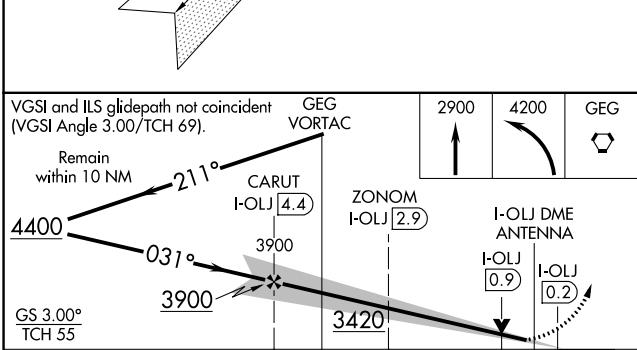
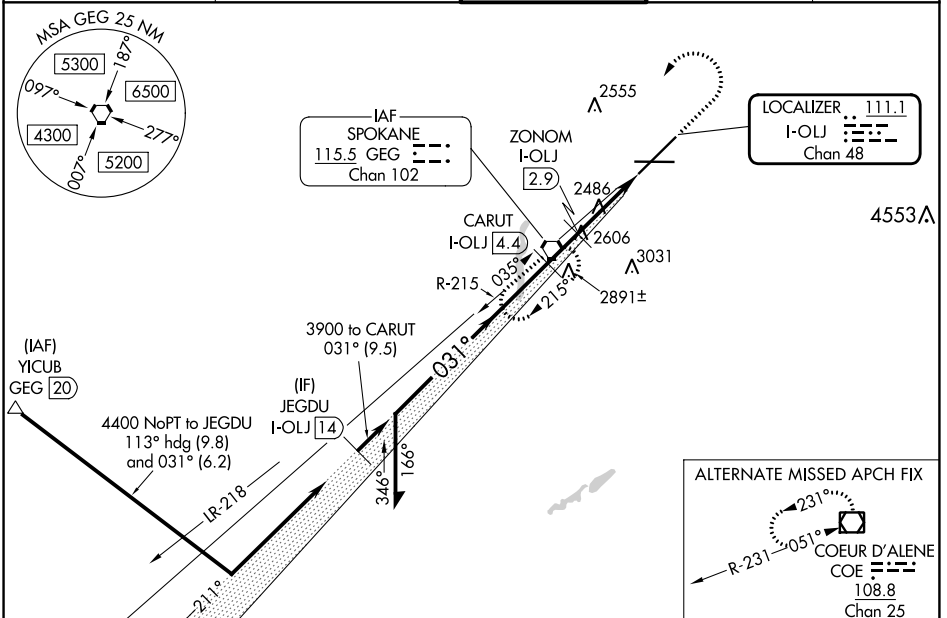


LOC/DME I-OLJ <b>111.1</b> Chan <b>48</b>	APP CRS <b>031°</b>	Rwy Idg TDZE Apt Elev	<b>11002</b> <b>2385</b> <b>2385</b>
---	------------------------	-----------------------------	--

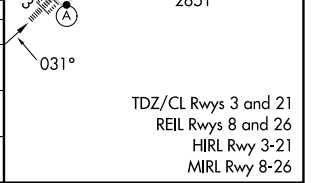
# ILS or LOC RWY 3

SPOKANE INTL (GEG)

DME required for localizer only.		ALSIF-2	MISSED APPROACH: Climb to 2900 then climbing left turn to 4200 direct GEG VORTAC and hold, continue climb-in-hold to 4200.	
<p>▼ For inop ALS, increase S-LOC 3 Cat C/D visibility to RVR 5500.</p> <p>▲</p>				
ATIS <b>124.325 254.375</b>	SPOKANE APP CON <b>123.75 282.25</b> (205°-025°) <b>133.35 263.0</b> (026°-204°)	SPOKANE TOWER <b>118.3 278.3</b>	GND CON <b>121.9 348.6</b>	CLNC DEL <b>127.55</b>



CATEGORY	A	B	C	D
S-ILS 3	2585/18 200 (200-½)			
S-LOC 3	2780/24	395 (400-½)	2780/35	395 (400-¾)
CIRCLING	2960-1 575 (600-1)	2980-1 595 (600-1)	3180-2¼ 795 (800-2¼)	3380-3 995 (1000-3)



NW-1, 28 NOV 2024 to 26 DEC 2024

NW-1, 28 NOV 2024 to 26 DEC 2024