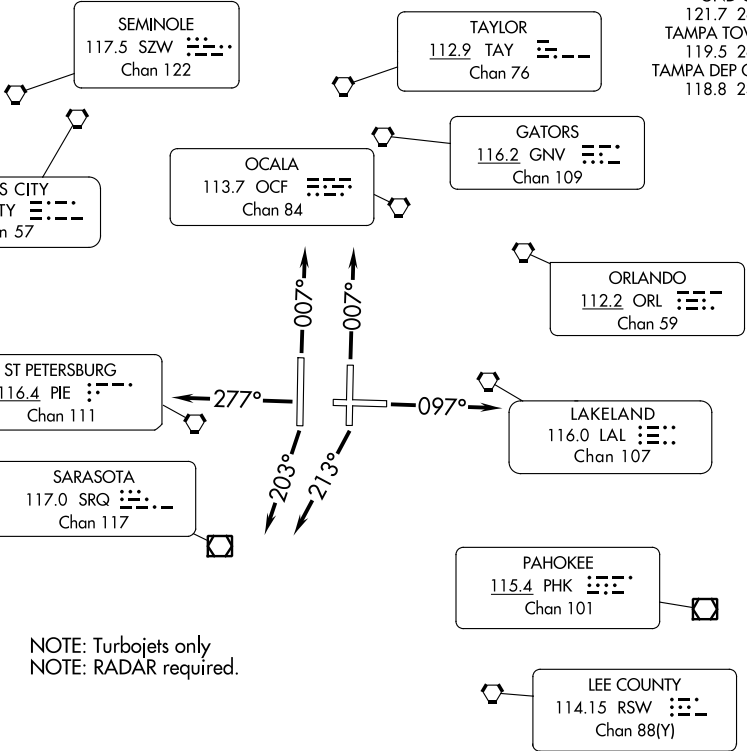


LGTING THREE DEPARTURE

**TOP ALTITUDE:
6000**

D-ATIS DEP
128.475
CLNC DEL
133.6
CPDLC
GND CON
121.7 269.4
TAMPA TOWER
119.5 269.4
TAMPA DEP CON
118.8 239.3



NOTE: Turbojets only
NOTE: RADAR required.

TAKEOFF MINIMUMS:

Rwys 1L/R, 19R, 28: Standard.

Rwy 10: Standard with minimum climb of 245' per NM to 900.

Rwy 19L: 200-1½ or standard with minimum climb of 220' per NM to 300, or alternatively, with standard takeoff minimums and a normal 200' per NM climb gradient, takeoff must occur no later than 1500' prior to departure end of runway.

NOTE: Chart not to scale.



DEPARTURE ROUTE DESCRIPTION

TAKEOFF RUNWAYS 1L/R: Climb heading 007°, thence. . . .

TAKEOFF RUNWAY 10: Climb heading 097°, thence. . . .

TAKEOFF RUNWAY 19L: Climb heading 213°, thence. . . .

TAKEOFF RUNWAY 19R: Climb heading 203°, thence. . . .

TAKEOFF RUNWAY 28: Climb heading 277°, thence. . . .

. . . . expect RADAR vectors to join filed/assigned route. Maintain 6000. Expect clearance to filed altitude/flight level within 10 minutes after departure.

LGTING THREE DEPARTURE

SE-3, 28 NOV 2024 to 26 DEC 2024

SE-3, 28 NOV 2024 to 26 DEC 2024