


WAAS CH <b>48902</b> <b>W10A</b>	APP CRS <b>096°</b>	Rwy Idg TDZE Apt Elev	<b>8424</b> <b>7</b> <b>65</b>
--	------------------------	-----------------------------	--------------------------------------

# RNAV (GPS) Z RWY 10L

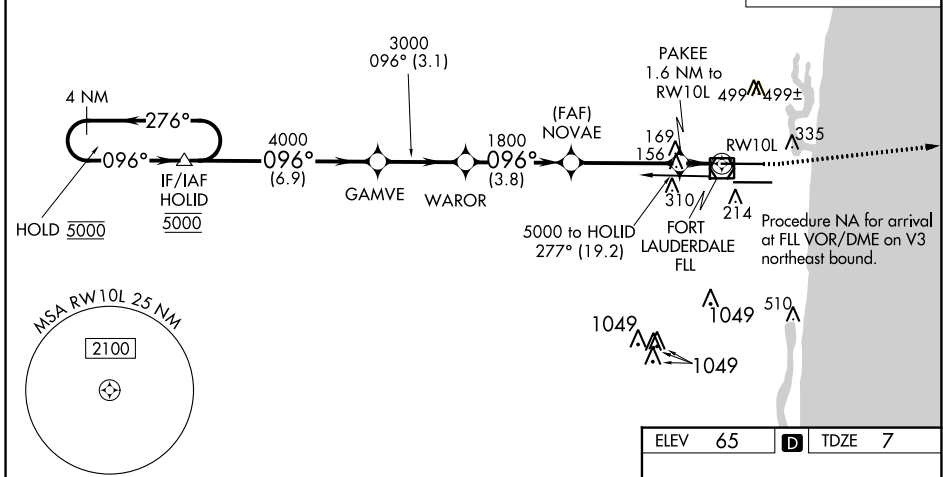
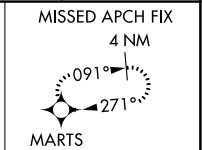
FORT LAUDERDALE/HOLLYWOOD INTL (FLL)

RNP APCH-GPS.

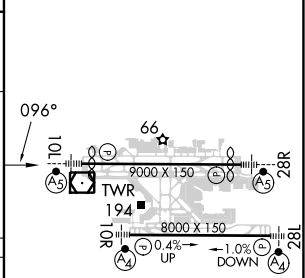
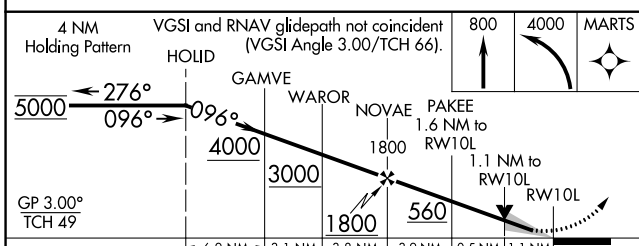
**⚠** For uncompensated Baro-VNAV systems, LNAV/VNAV NA below 7°C or above 54°C. Inop table does not apply to LPV all Cats. LNAV procedure NA during simultaneous operations. For inop ALS, increase LNAV/VNAV visibility all Cats to 1½ SM, LNAV visibility Cat A and B to RVR 5500 and Cats C/D to RVR 6000. Use of FD or AP required during simultaneous operations. Simultaneous approach authorized.

**MALS**  
 MISSED APPROACH: Climb to 800 then climbing left turn to 4000 direct MARTS and hold. Continue climb-in-hold to 4000.

D-ATIS <b>135.0</b>	MIAMI APP CON <b>133.775 285.6</b>	<b>FORT LAUDERDALE TOWER</b> <b>119.3 257.8</b>	GND CON <b>121.4</b>	CLNC DEL <b>128.4</b>	CPDLC
------------------------	---------------------------------------	--	-------------------------	--------------------------	-------



ELEV 65	<b>D</b> TDZE 7
---------	-----------------



CATEGORY	A	B	C	D
LPV DA	207/24		200 (200-½)	
LNAV/VNAV DA	495/50		488 (500-1)	
LNAV MDA	420/24	413 (400-½)	420/40	413 (400-¾)
<b>C</b> CIRCLING	680-1	615 (700-1)	800-2 735 (800-2)	800-2¼ 735 (800-2¼)

HIRL Rwy 10L-28R and 10R-28L

SE-3, 28 NOV 2024 to 26 DEC 2024

SE-3, 28 NOV 2024 to 26 DEC 2024