

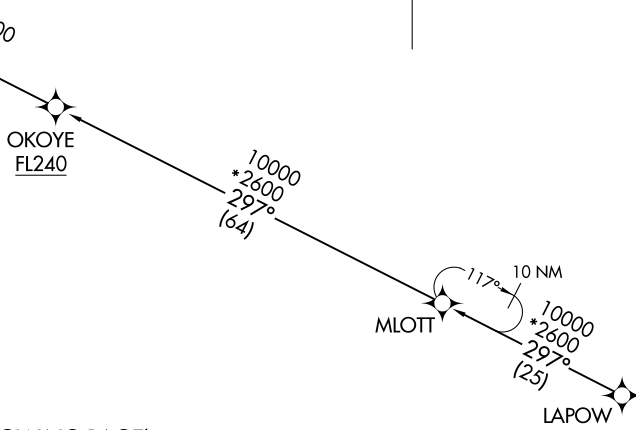
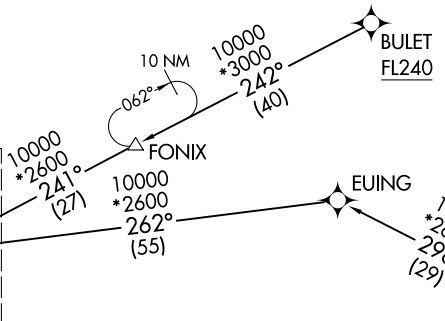
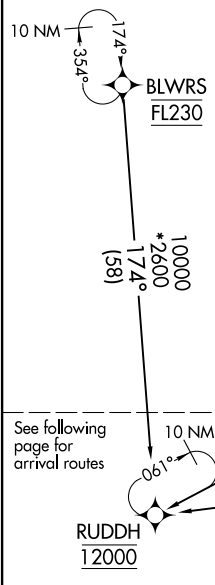
RNAV 1 - DME/DME/IRU or GPS.
RADAR required.

KANSAS CITY APP CON
120.95 318.1
D-ATIS
128.375

(RUDDH.RUDDH3) 23222

AL-780 (FAA)
Transition Routes

KANSAS CITY INTL (MCI)
KANSAS CITY, MISSOURI



See following page for arrival routes

NOTE: Expect runway assignment from Kansas City TRACON upon initial contact.

- BLWRS TRANSITION (BLWRS.RUDDH3)
- BULET TRANSITION (BULET.RUDDH3)
- EUING TRANSITION (EUING.RUDDH3)
- LAPOW TRANSITION (LAPOW.RUDDH3)

(CONTINUED ON FOLLOWING PAGE)

NOTE: Chart not to scale.

RUDDH THREE ARRIVAL (RNAV) Transition Routes
(RUDDH.RUDDH3) 10AUG23

KANSAS CITY, MISSOURI
KANSAS CITY INTL (MCI)

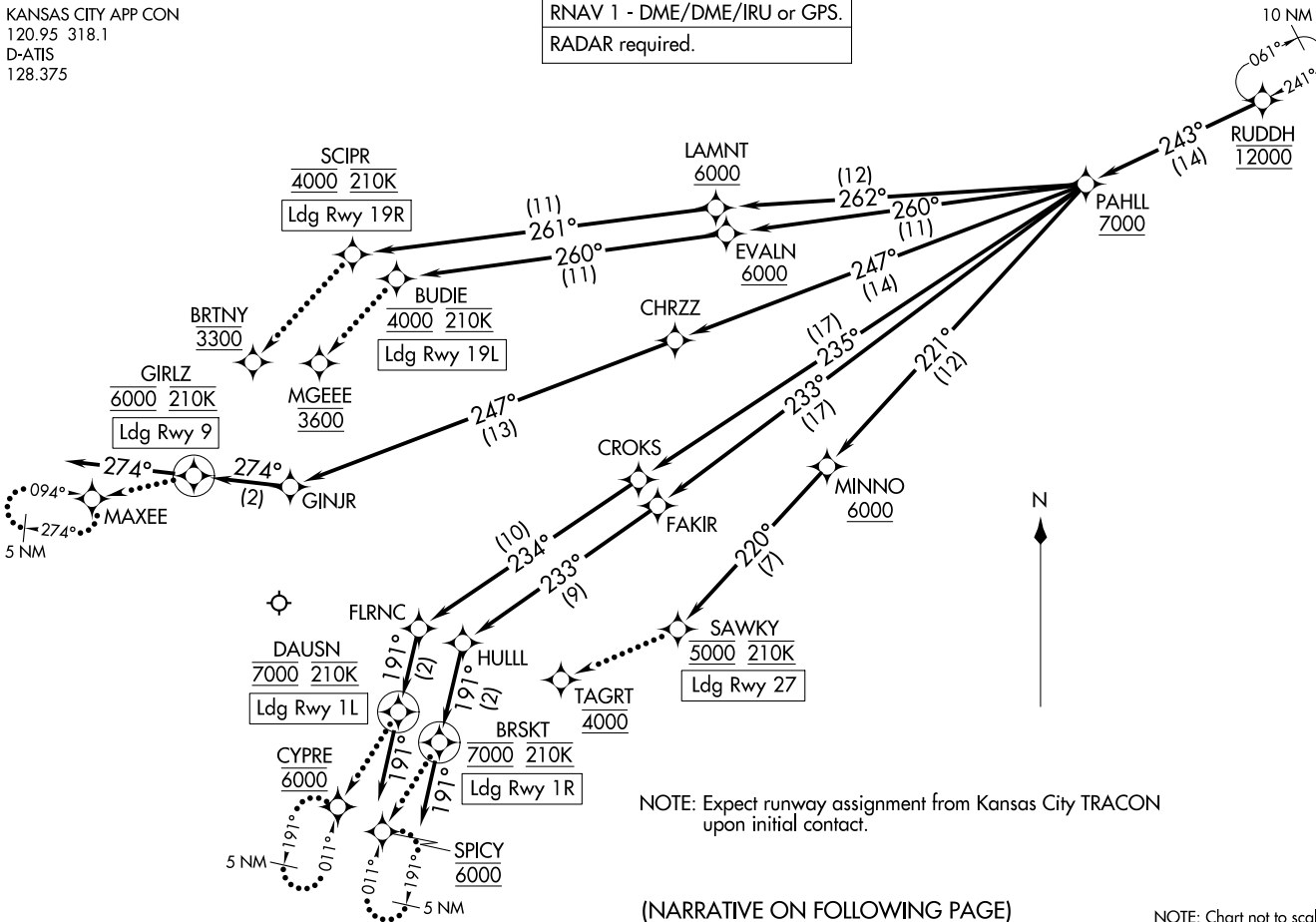
KANSAS CITY APP CON
120.95 318.1
D-ATIS
128.375

RNAV 1 - DME/DME/IRU or GPS.
RADAR required.

RUDDH THREE ARRIVAL (RNAV)
(RUDDH, RUDDH3) 10 AUG 23

Arrival Routes

KANSAS CITY, MISSOURI
KANSAS CITY INTL (MCI)



(RUDDH, RUDDH3) 23222

Arrival Routes

KANSAS CITY INTL (MCI)
KANSAS CITY, MISSOURI

AL-780 (FAA)

(NARRATIVE ON FOLLOWING PAGE)

NOTE: Chart not to scale.

ARRIVAL ROUTE DESCRIPTION

From RUDDH on track 243° to cross PAHLL at or above 7000.

LANDING RUNWAY 1L: From PAHLL on track 235° to CROKS, then on track 234° to FLRNC, then on track 191° to cross DAUSN at 7000 and at 210K, then on track 191°. Expect RADAR vectors to final approach course for RNP, GPS, or ILS RWY 1L approach.

LANDING RUNWAY 1R: From PAHLL on track 233° to FAKIR, then on track 233° to HULLL, then on track 191° to cross BRSKT at 7000 and at 210K, then on track 191°. Expect RADAR vectors to final approach course for RNP, GPS, or ILS RWY 1R approach.

LANDING RUNWAY 9: From PAHLL on track 247° to CHRZZ, then on track 247° to GINJR, then on track 274° to cross GIRLZ at 6000 and at 210K, then on track 274°. Expect RADAR vectors to final approach course for RNP, GPS, or ILS RWY 9 approach.

LANDING RUNWAY 19L: From PAHLL on track 260° to cross EVALN at or above 6000, then on track 260° to cross BUDIE at 4000 and at 210K. Expect RNP Z RWY 19L approach, or expect RADAR vectors to final approach course for ILS or GPS RWY 19L approaches.

LANDING RUNWAY 19R: From PAHLL on track 262° to cross LAMNT at or above 6000, then on track 261° to cross SCIPR at 4000 and at 210K. Expect RNP Z RWY 19R approach, or expect RADAR vectors to final approach course for ILS or GPS RWY 19R approaches.

LANDING RUNWAY 27: From PAHLL on track 221° to cross MINNO at or above 6000, then on track 220° to cross SAWKY at 5000 and at 210K. Expect RNP Z RWY 27 approach, or expect RADAR vectors to final approach course for ILS or GPS RWY 27 approaches.

LOST COMMUNICATIONS

RUNWAY 1L: After DAUSN proceed to CYPRE at 6000 and hold.

RUNWAY 1R: After BRSKT proceed to SPICY at 6000 and hold.

RUNWAY 9: After GIRLZ maintain 6000, proceed to MAXEE and hold.

RUNWAY 19L: After BUDIE proceed to MGEEE at 3600, then on ILS or LOC RWY 19L approach.

RUNWAY 19R: After SCIPR proceed to BRTNY at 3300, then on ILS or LOC RWY 19R approach.

RUNWAY 27: After SAWKY proceed to TAGRT at 4000, then on ILS or LOC RWY 27 approach.