

APP CRS <b>222°</b>	Rwy Idg <b>5997</b>
	TDZE <b>3373</b>
	Apt Elev <b>3374</b>

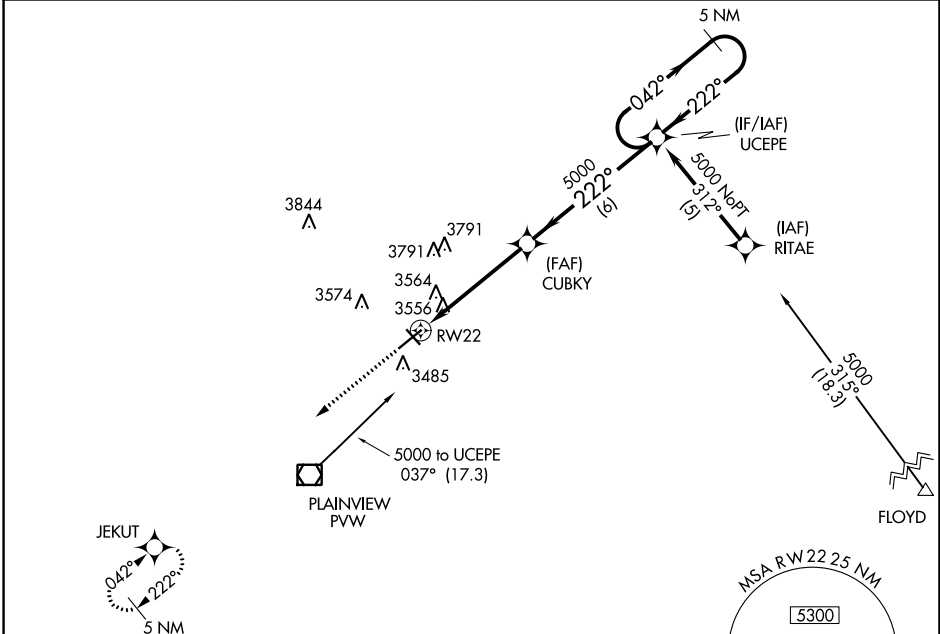
# RNAV (GPS) RWY 22

HALE COUNTY (PVW)

**⚠** DME/DME RNP-0.3 NA. When local altimeter setting not received, use Lubbock altimeter setting and increase all MDAs 100 feet and increase Circling Cat C/D visibility ½ SM. Visibility reduction by helicopters NA.

**MISSED APPROACH:** Climb to 5100 direct JEKUT and hold.

AWOS-3 <b>119.675</b>	LUBBOCK APP CON <b>119.2 351.8</b>	CLNC DEL <b>118.4</b>	UNICOM <b>123.0 (CTAF) 0</b>
--------------------------	---------------------------------------	--------------------------	---------------------------------

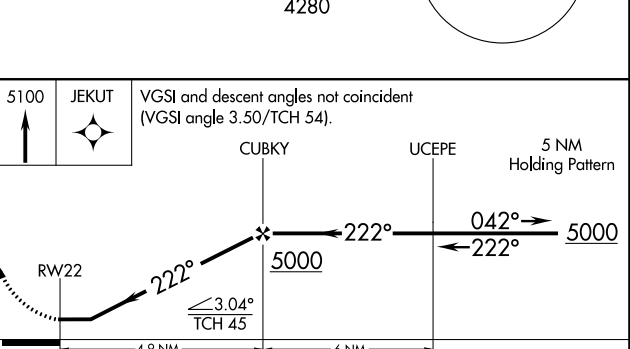
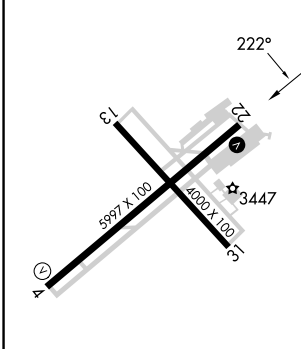


SC-2, 28 NOV 2024 to 26 DEC 2024

SC-2, 28 NOV 2024 to 26 DEC 2024

ELEV 3374	TDZE 3373
-----------	-----------

Procedure NA for arrivals at PVW VOR/DME via V81 southbound.



CATEGORY	A	B	C	D
LNAV MDA	3820-1	447 (500-1)	3820-1¼ 447 (500-1¼)	3820-1½ 447 (500-1½)
CIRCLING	3940-1	566 (600-1)	4160-2¼ 786 (800-2¼)	4160-2½ 786 (800-2½)

REIL Rwy 4 0  
REIL Rwy 22  
MIRL Rwy 4-22 and 13-31 0